



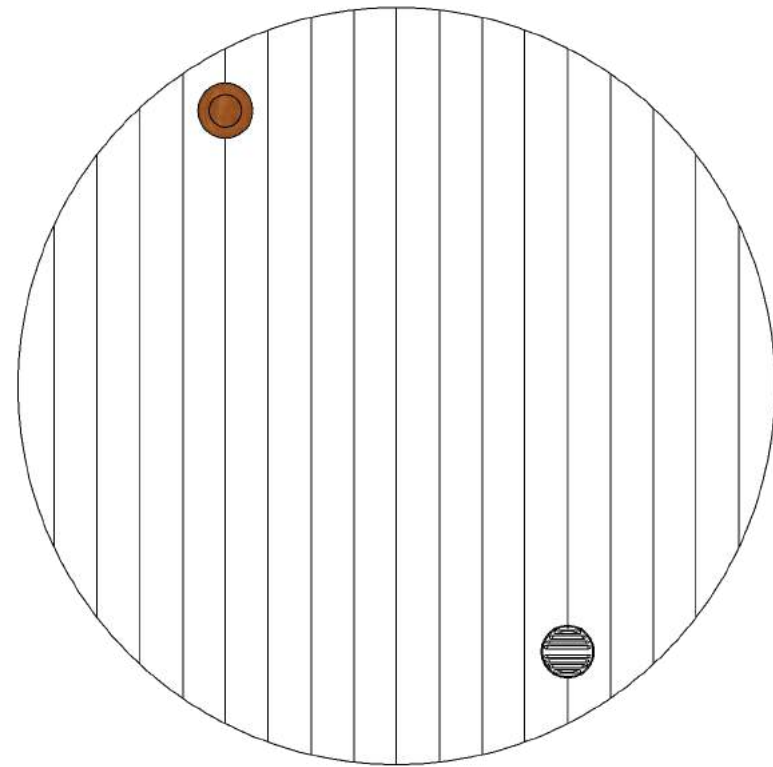
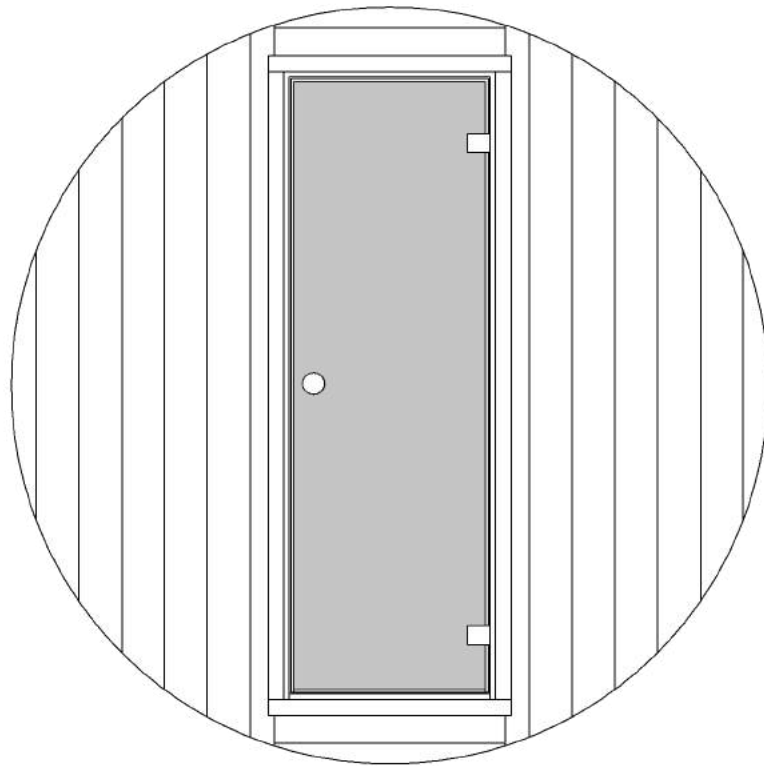
Ergo-Series E6 Barrel Sauna
59D" x 81H"



Note: Please read manual before construction

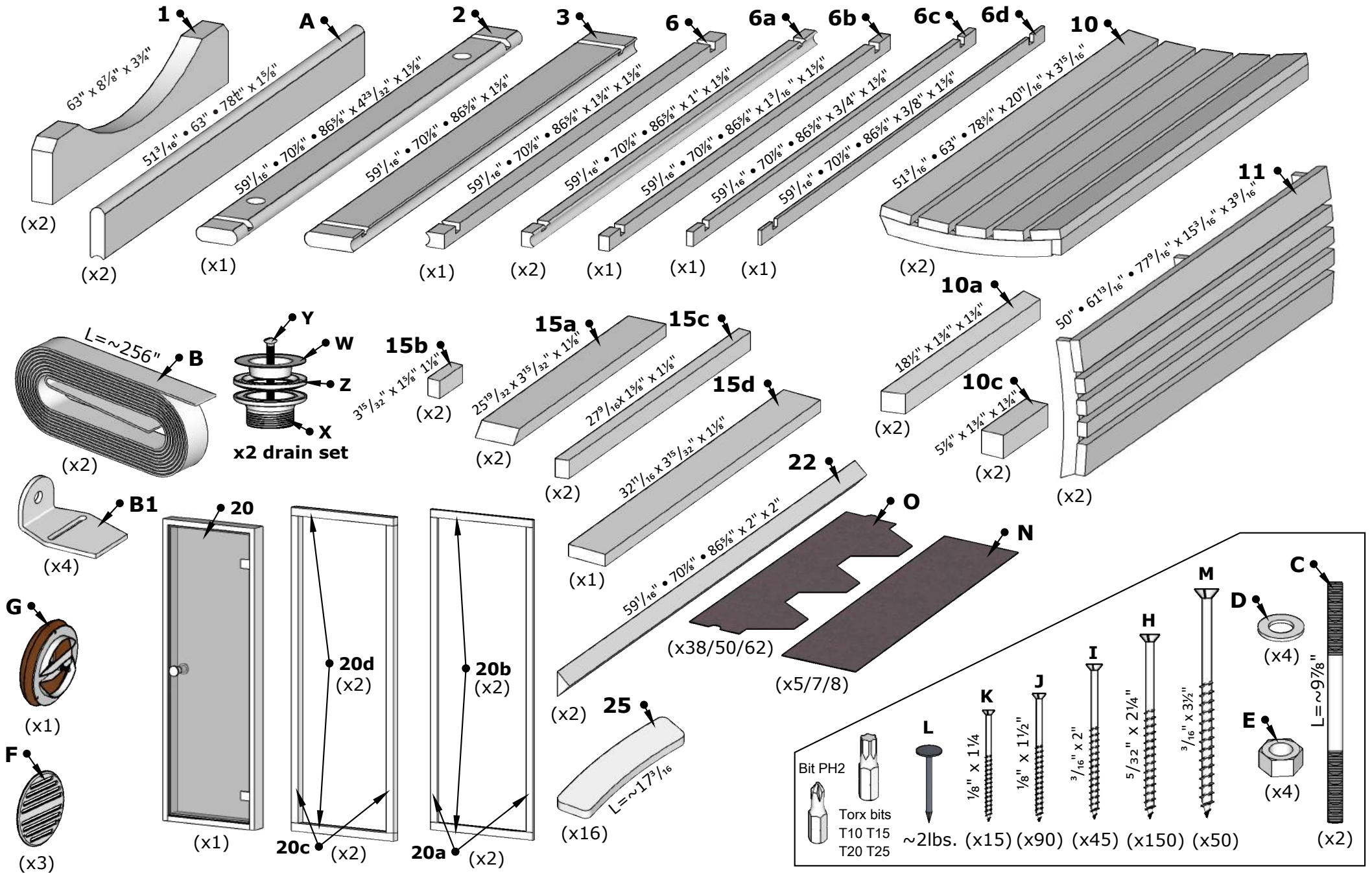
Rev 4/2023

Front & Back Walls

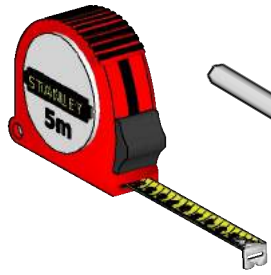


E6 Barrel Sauna 59D" x 81H"

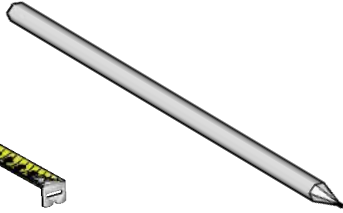
Details list.



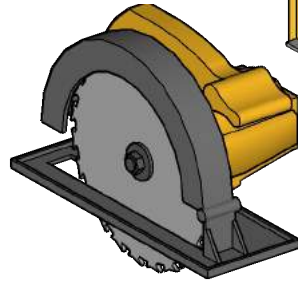
Tools needed



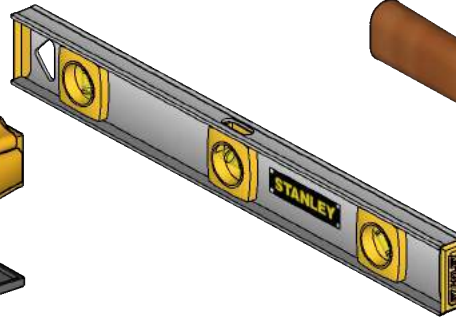
Measuring tape



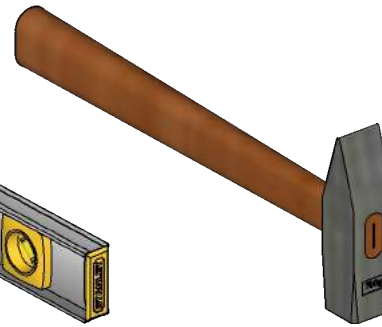
Marker pen



Circular saw



Water level



Hammer



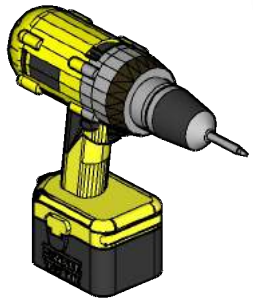
Extra hands



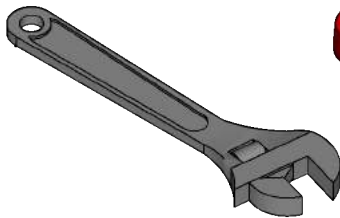
Ratchet strap



Silicone gun
(Only glass-wall models)



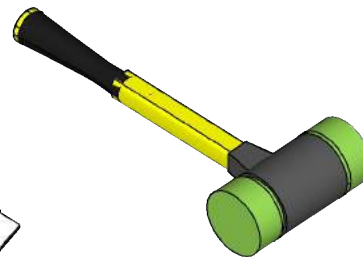
Drill



Crescent wrench



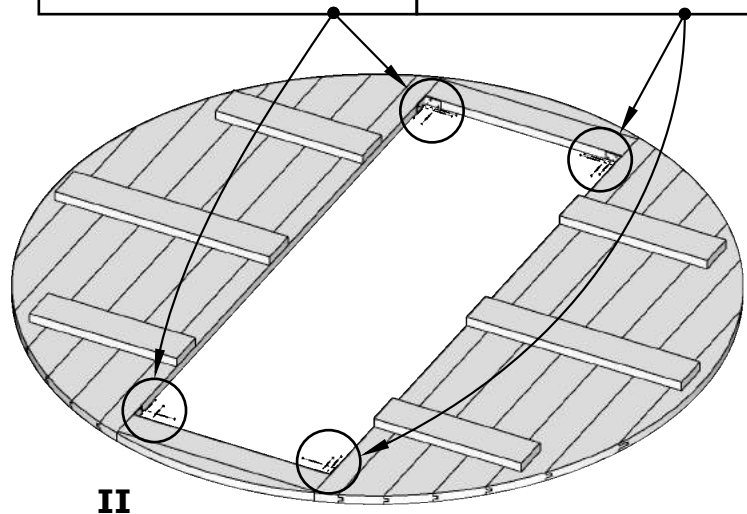
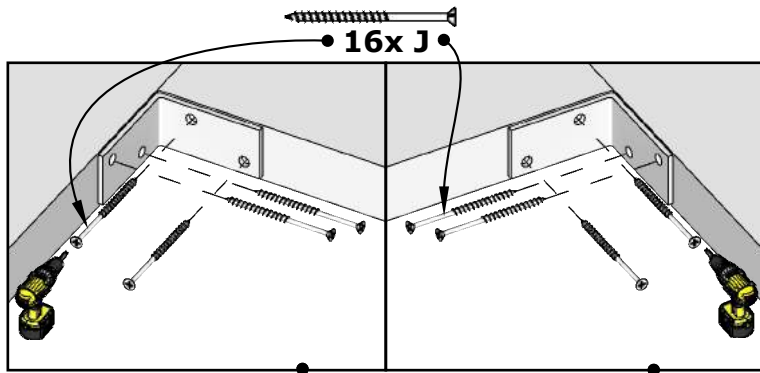
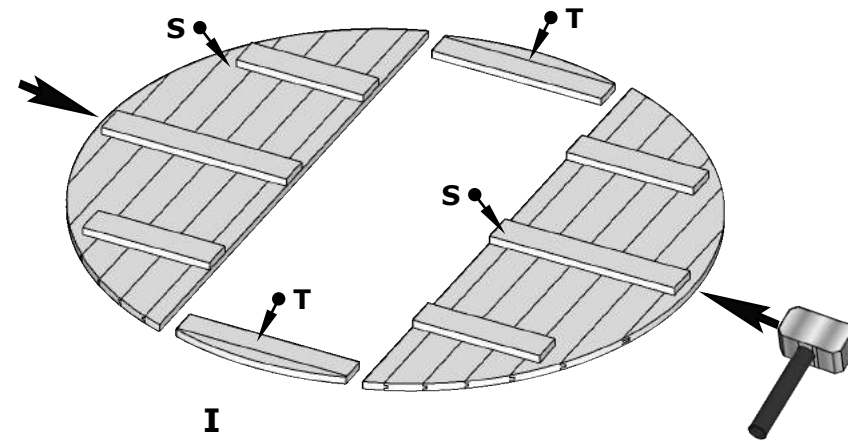
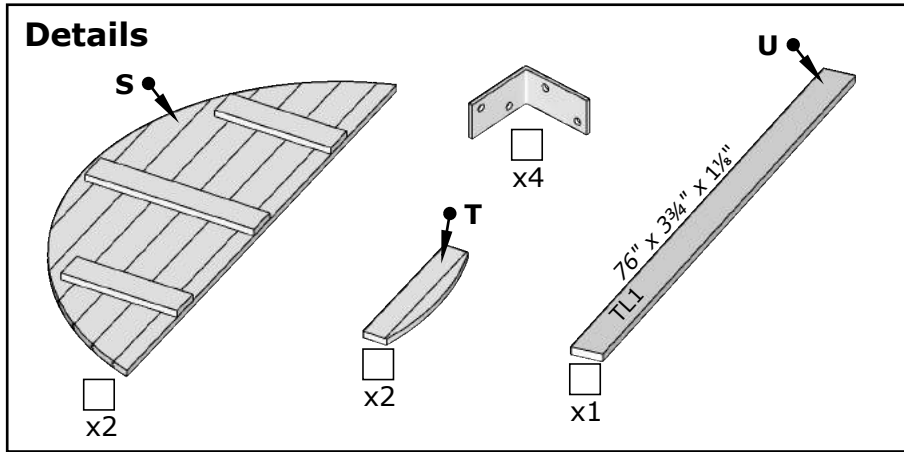
Utility knife



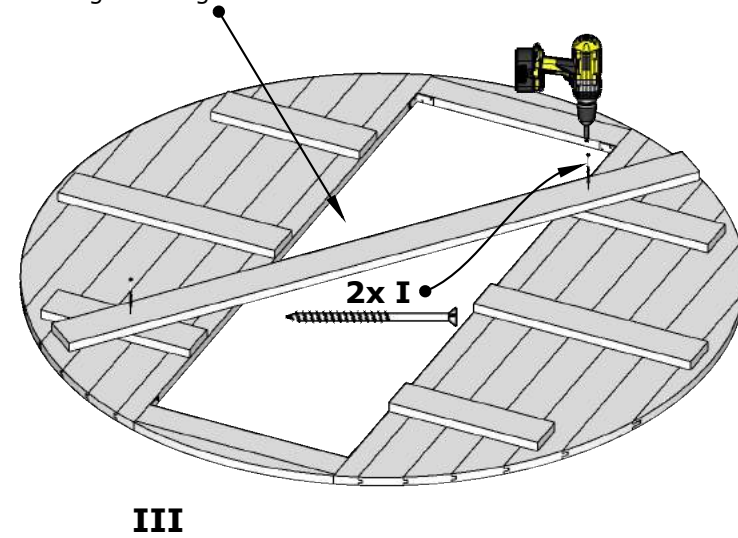
Rubber mallet

Wooden front wall installation

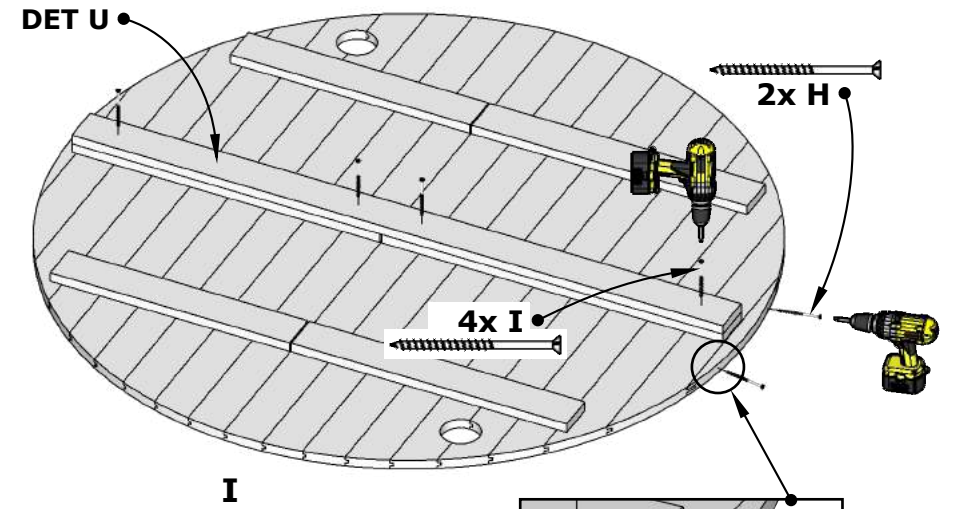
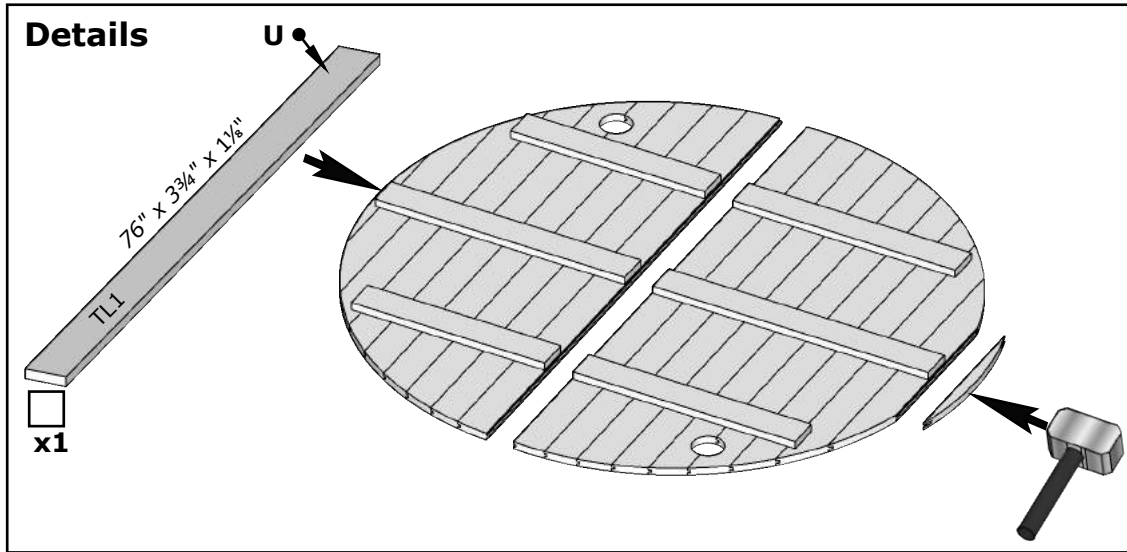
Details



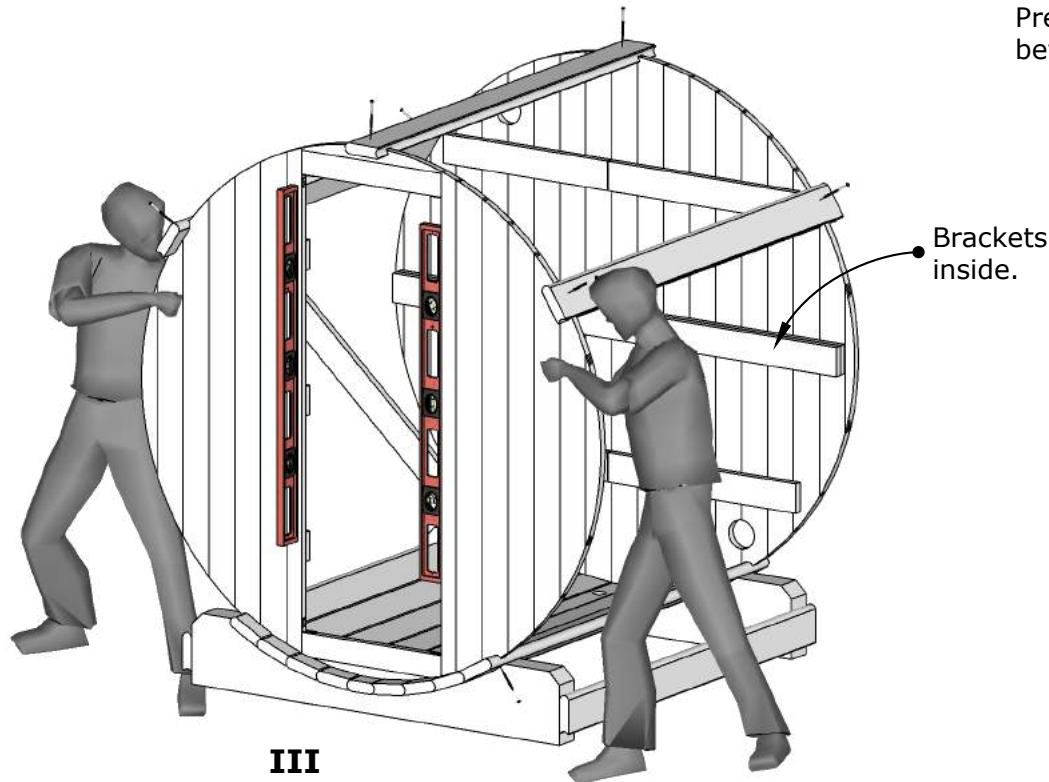
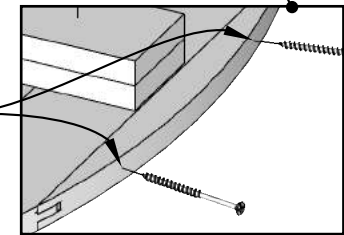
DET U Fix it diagonally to make wall more rigid during the installation.



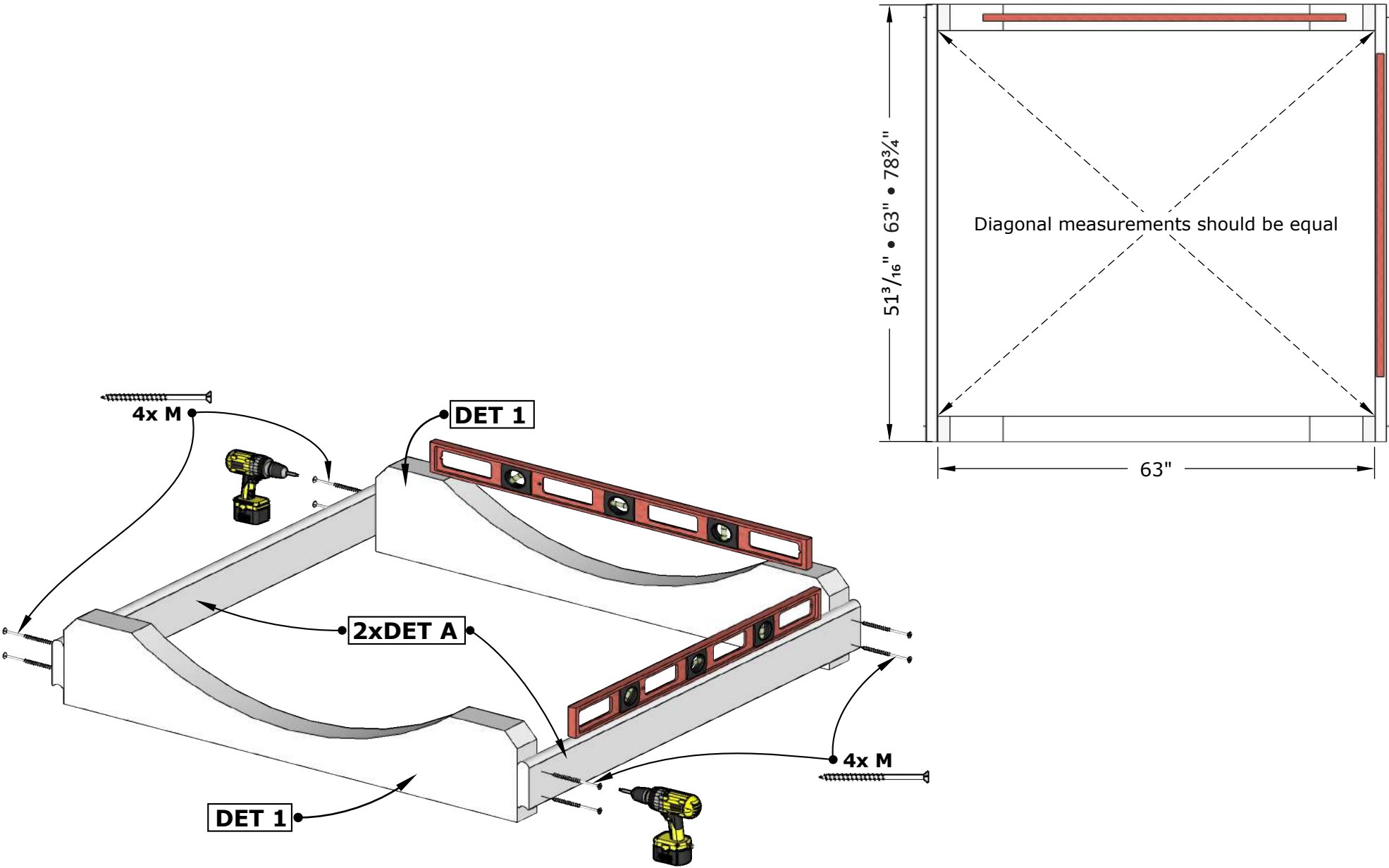
Wooden back wall installation



Pre-drill holes 5/32" before screws.

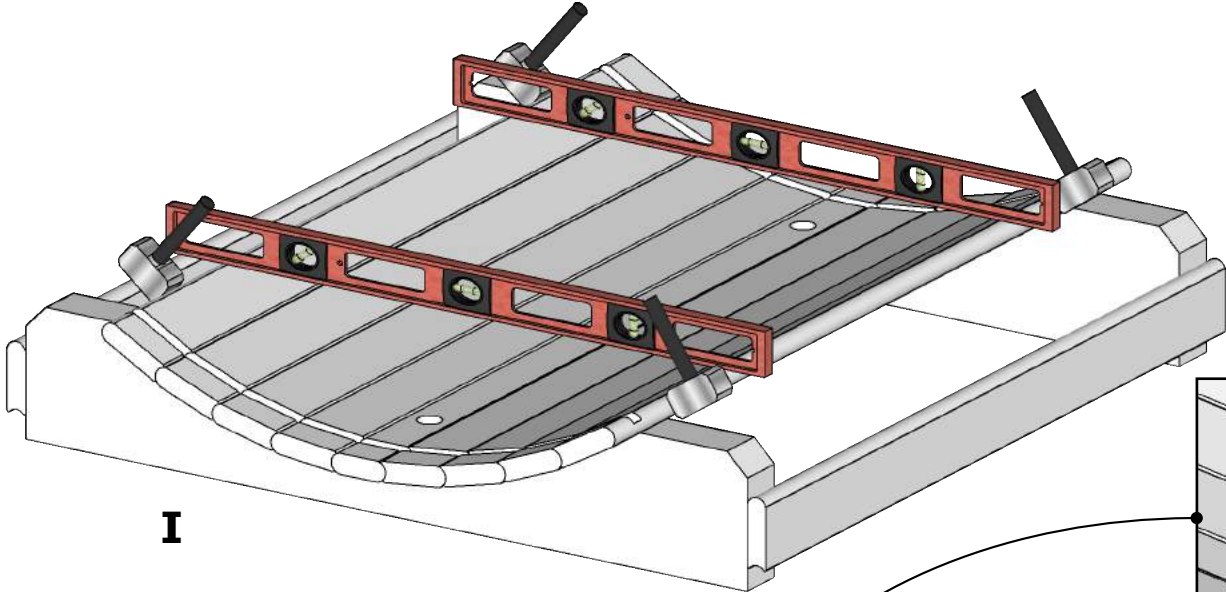


E6 Barrel Sauna 59D" x 81H"

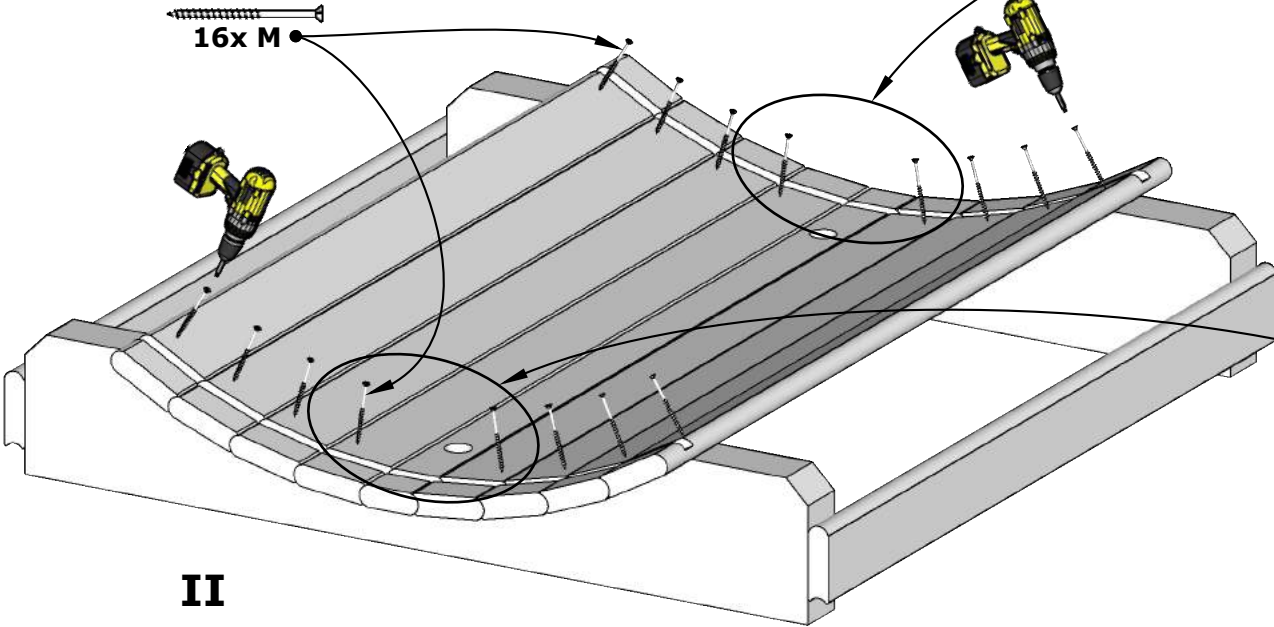


1.

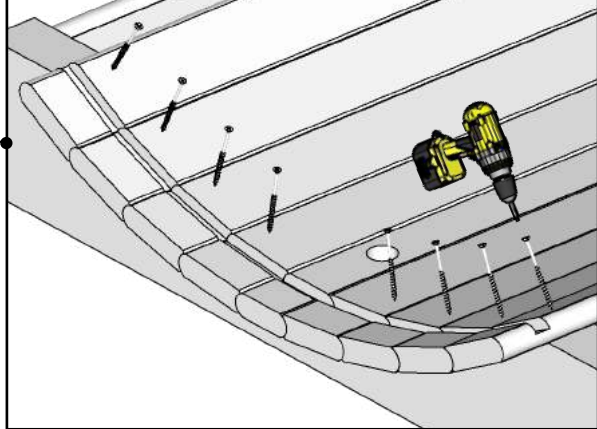
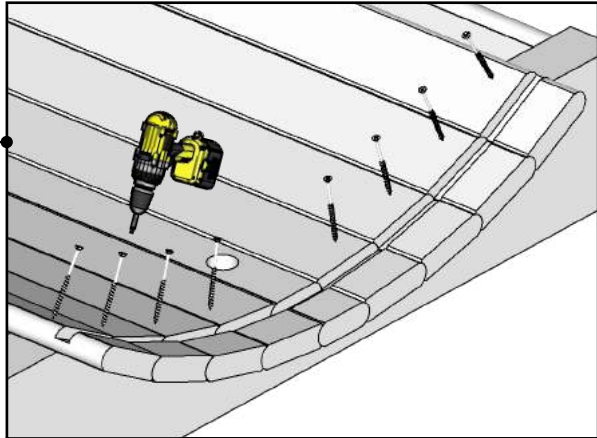
E6 Barrel Sauna 59D" x 81H"



I

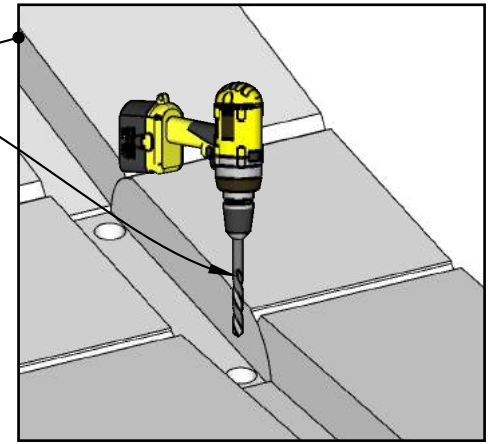
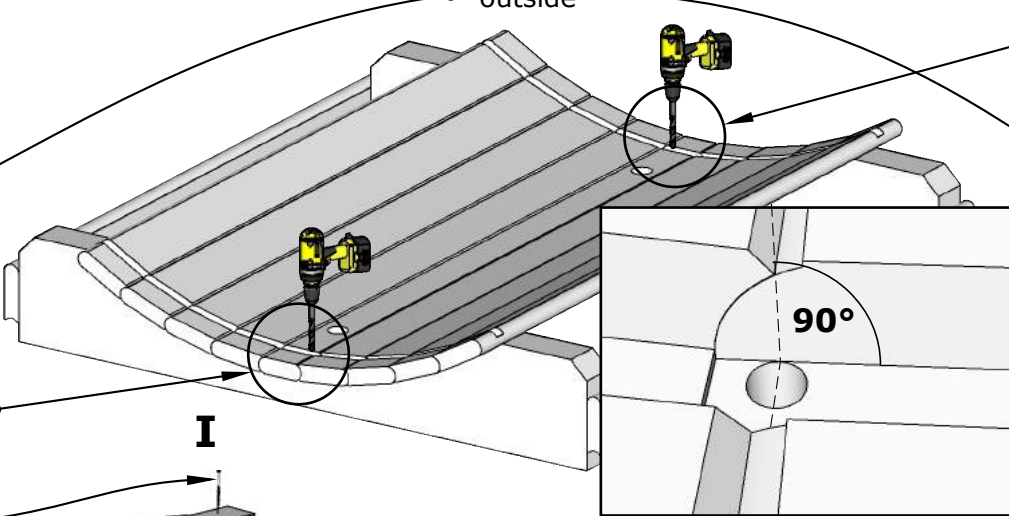
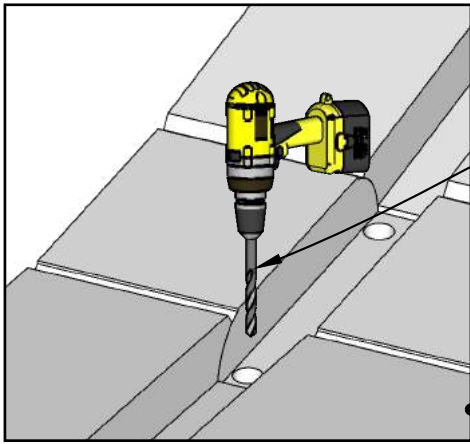


II

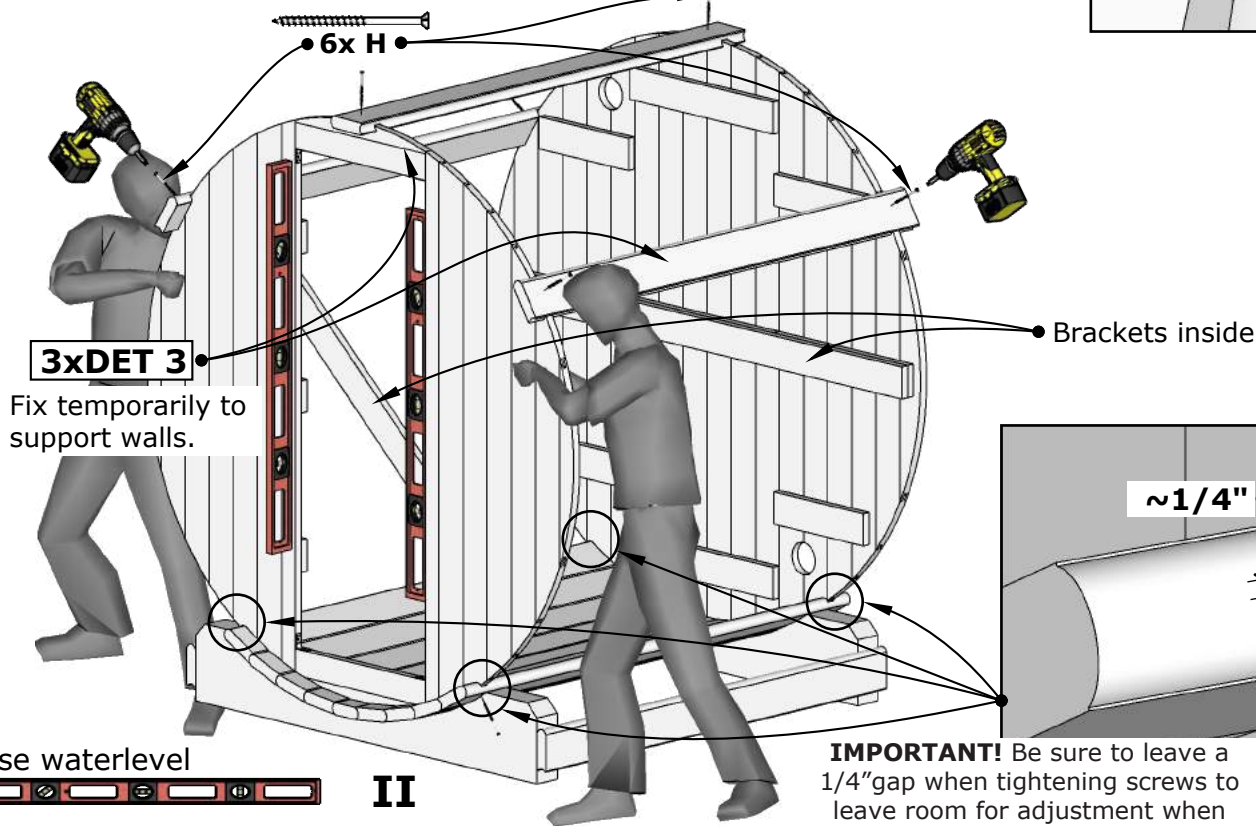


E6 Barrel Sauna 59D" x 81H"

Drill 4 holes $\varnothing 1/2"$
through DET 2
outside



I



3xDET 3
Fix temporarily to
support walls.

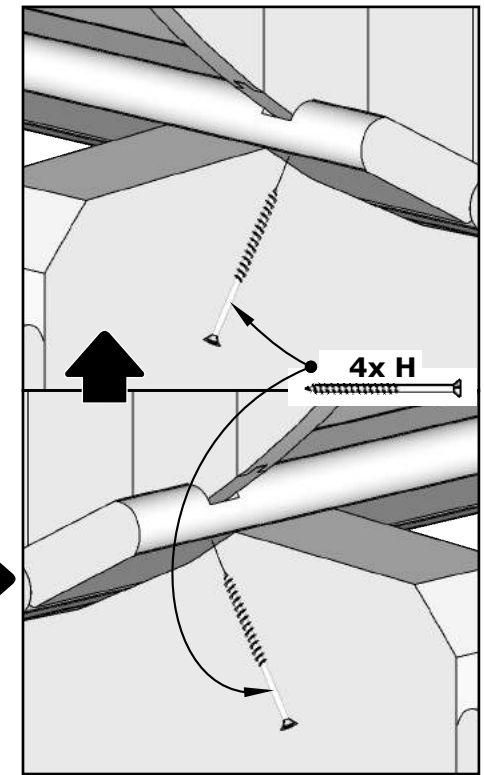
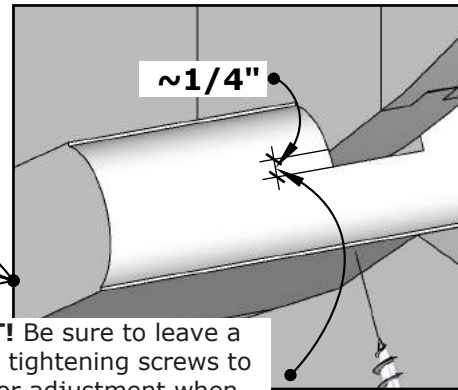
6x H

Brackets inside

Use waterlevel

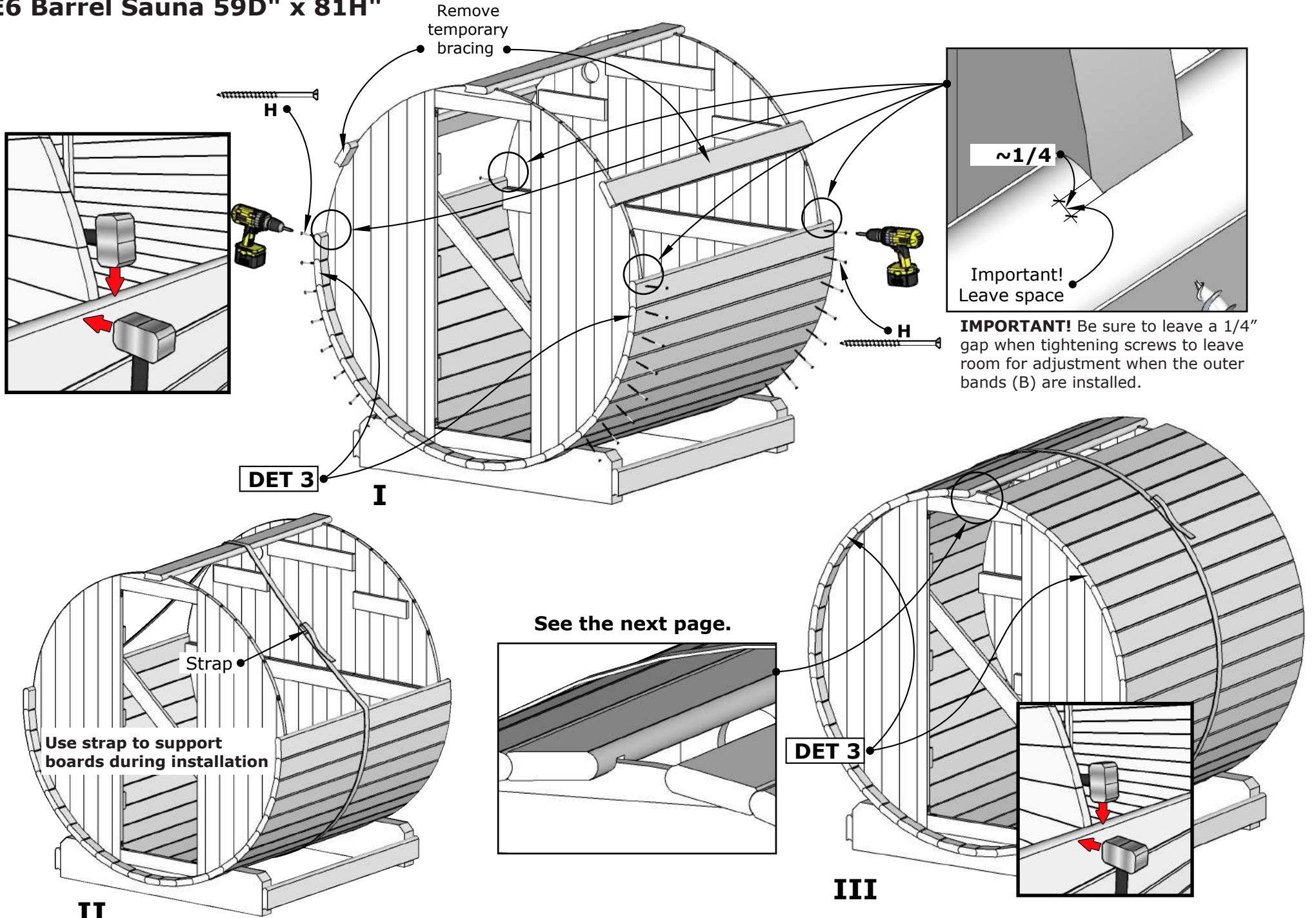
II

IMPORTANT! Be sure to leave a $1/4"$ gap when tightening screws to leave room for adjustment when the outer bands (B) are installed.

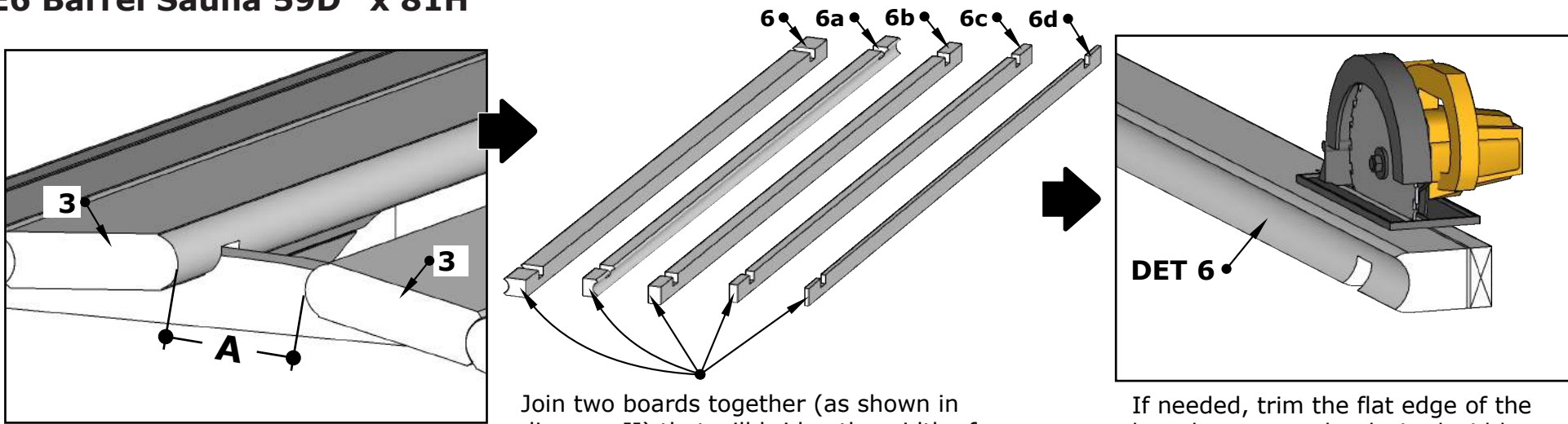


4x H

E6 Barrel Sauna 59D" x 81H"



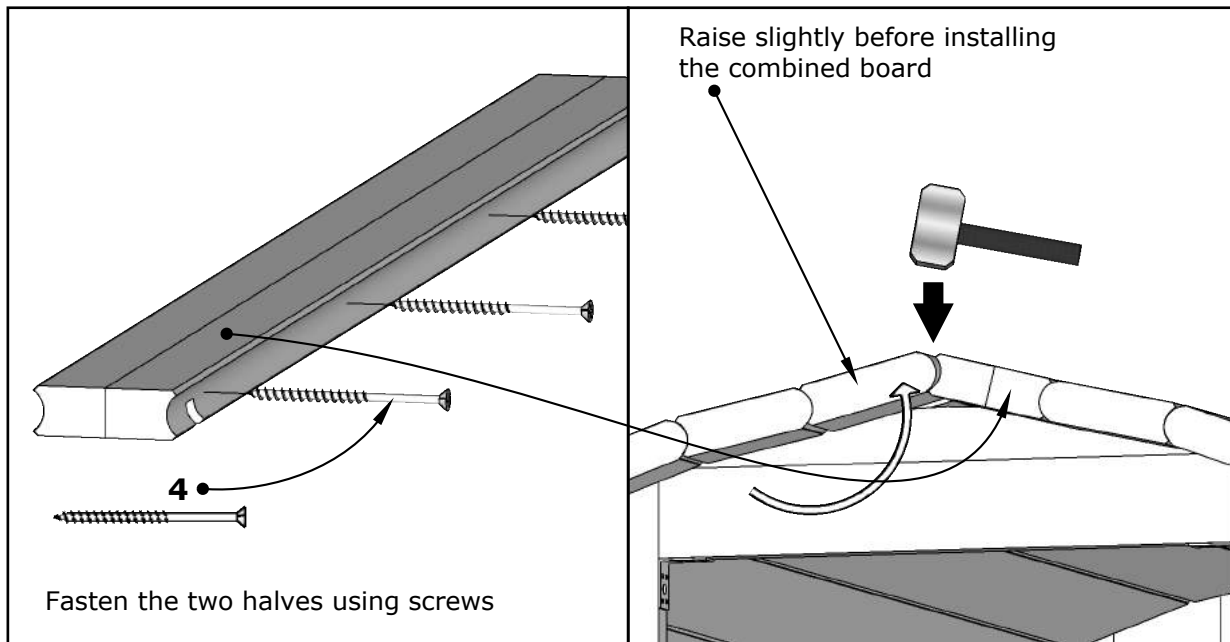
E6 Barrel Sauna 59D" x 81H"



I

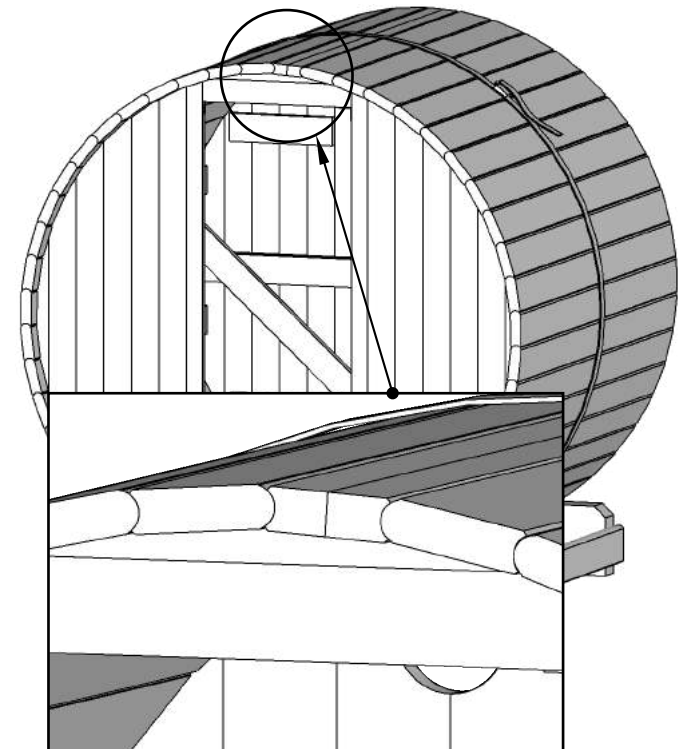
Join two boards together (as shown in diagram II) that will bridge the width of the "A" gap. It is recommended that the combined boards are approximately 1/4" wider than the gap.

If needed, trim the flat edge of the board to create the desired width.



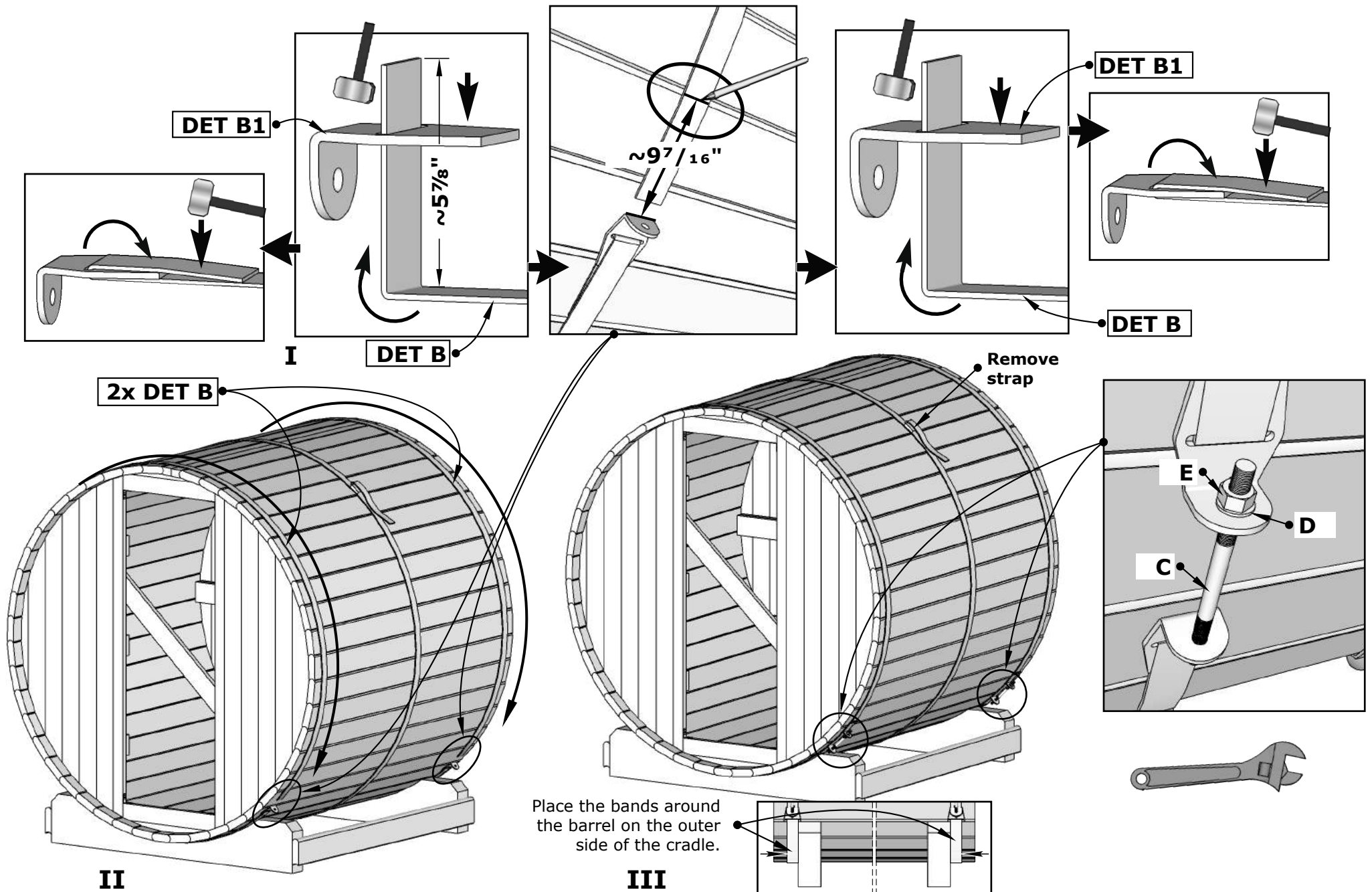
Fasten the two halves using screws

II



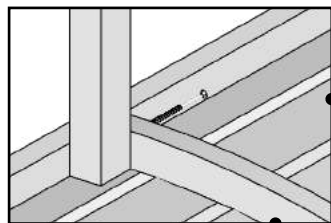
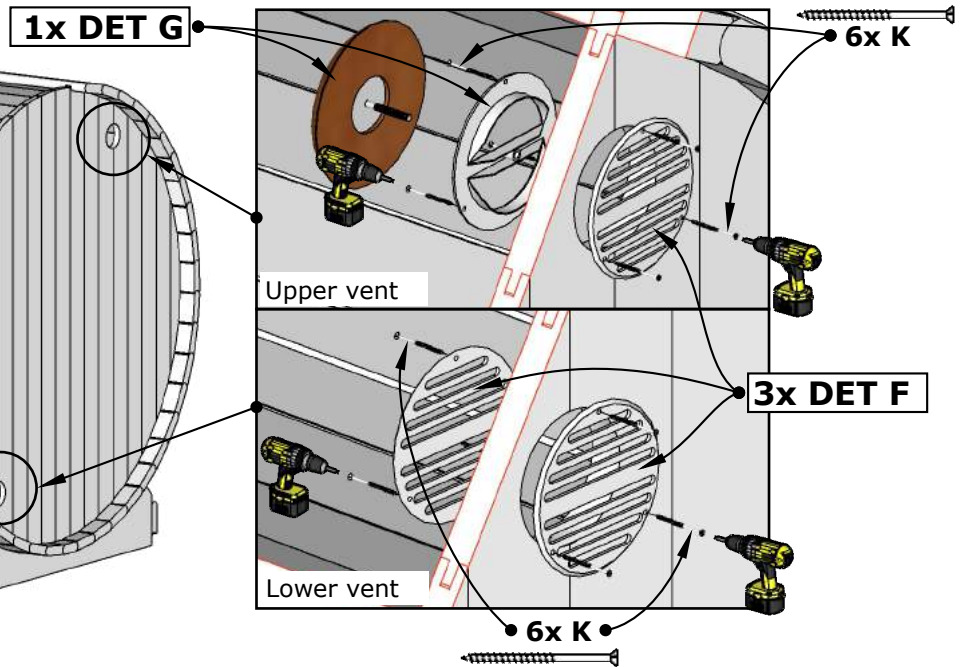
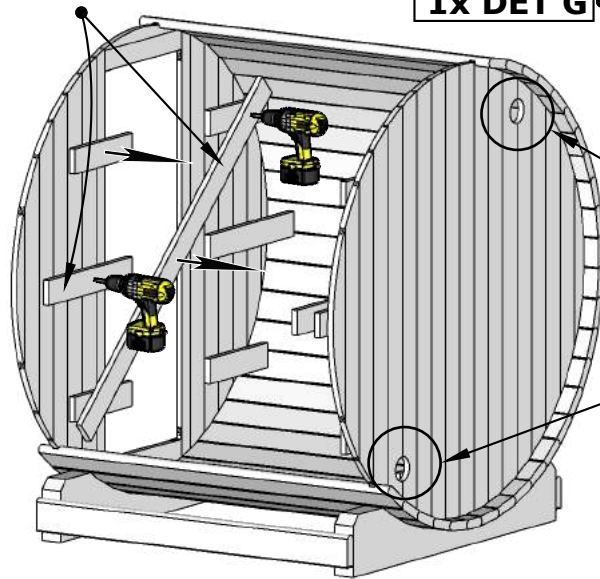
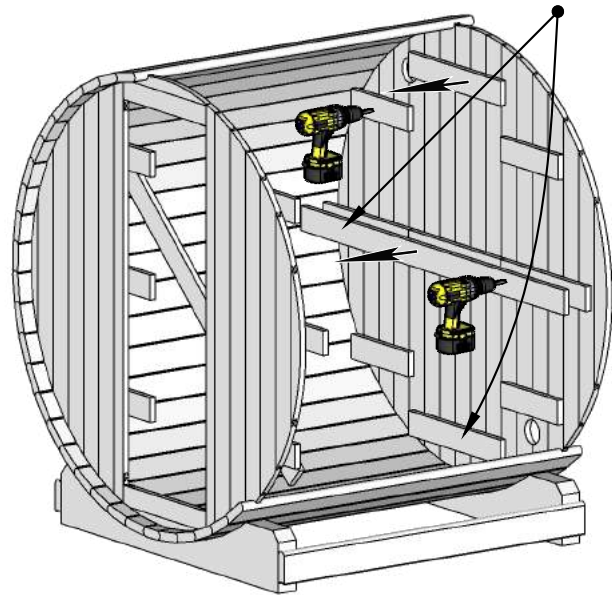
III

E6 Barrel Sauna 59D" x 81H"



E6 Barrel Sauna 59D" x 81H"

Remove all temporary braces



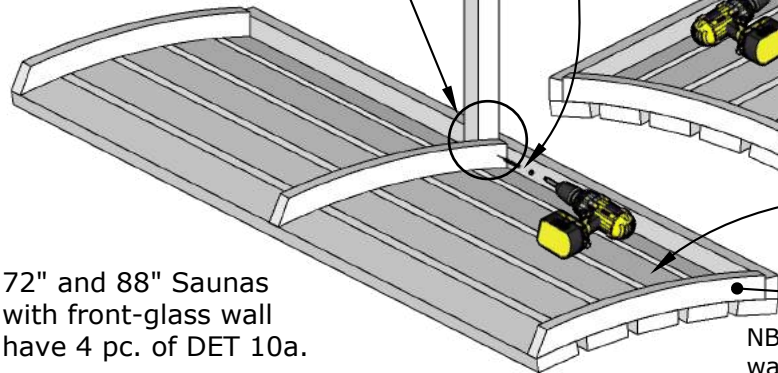
Pre-drill holes Ø5/32" before screws.

I

2x DET 10a

2x H

2x DET 10



72" and 88" Saunas with front-glass wall have 4 pc. of DET 10a.

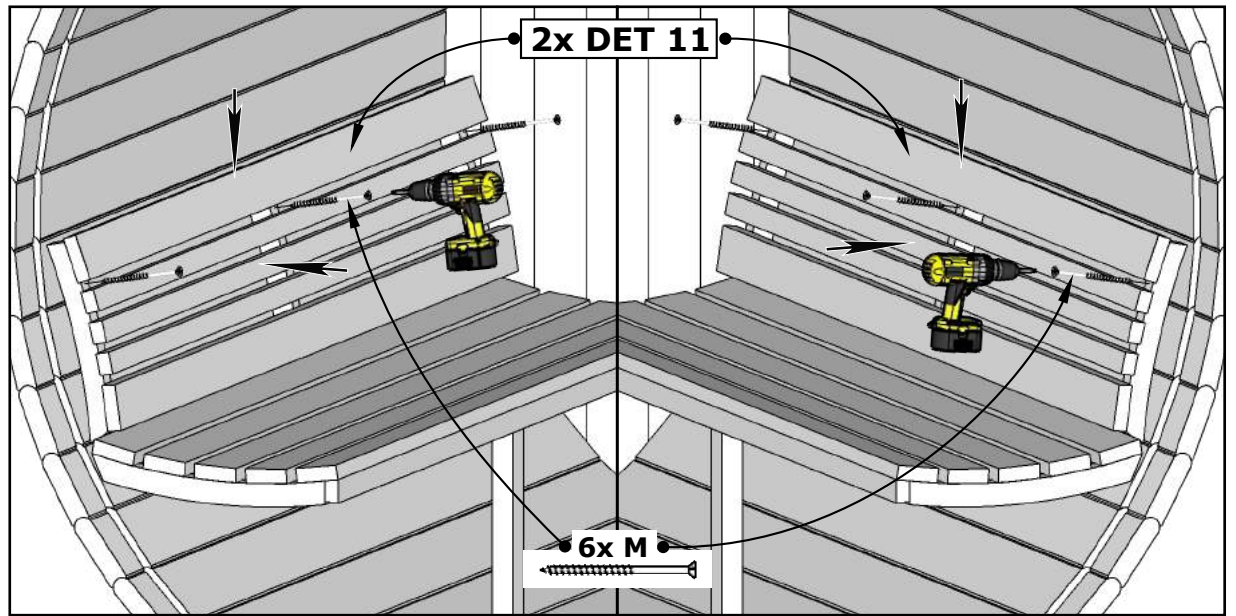
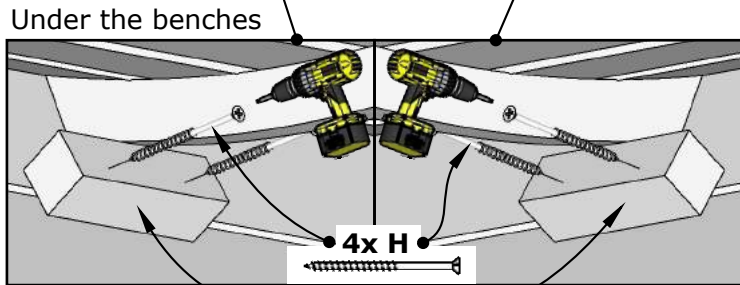
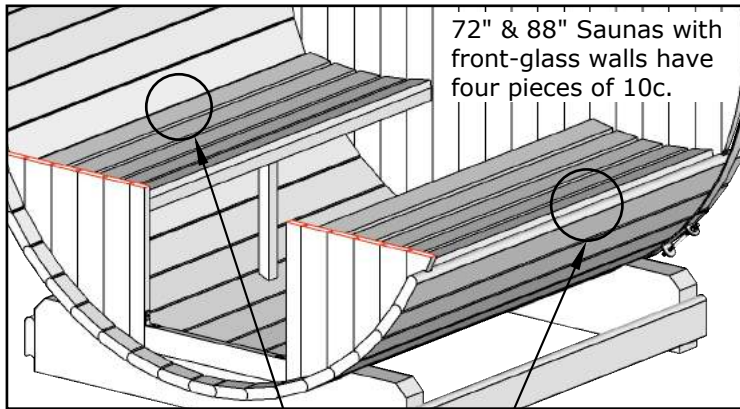
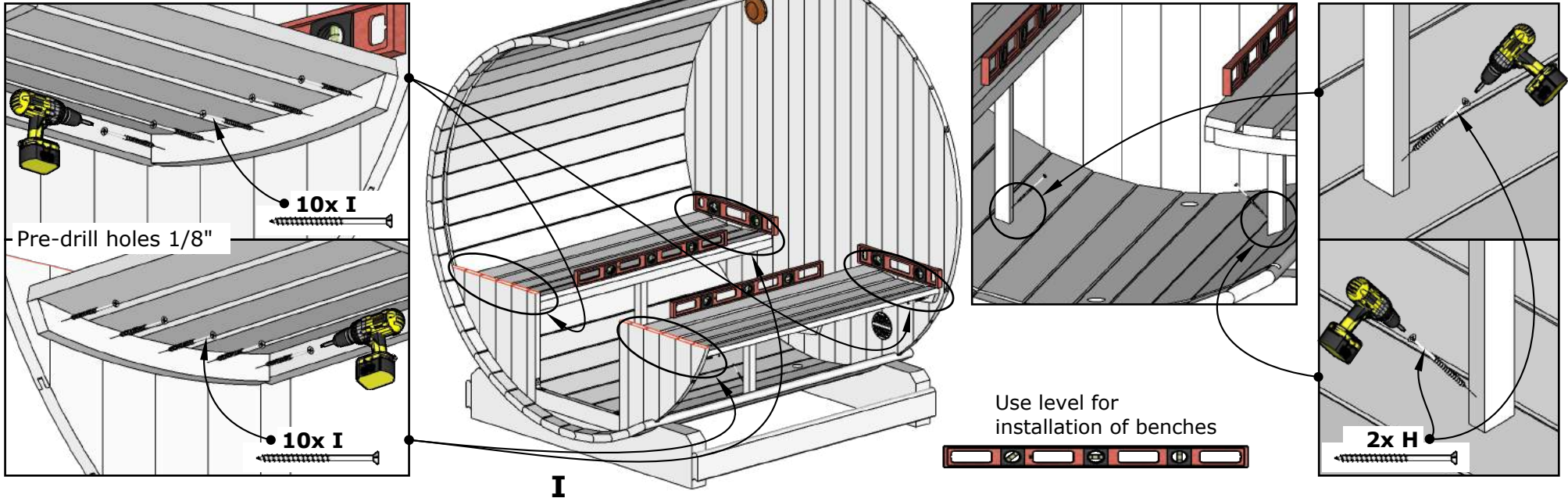
II

NB! If Your sauna equipped with front-glass wall, see front-glass wall installation manual for proper benches installation.

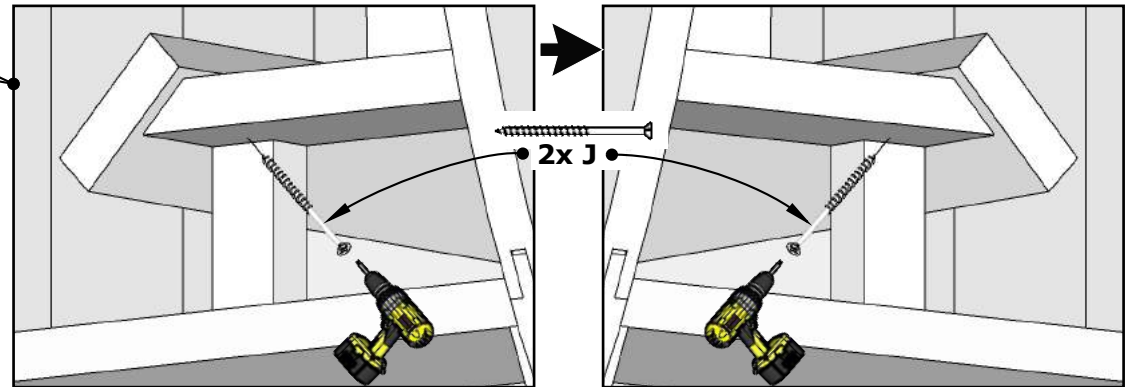
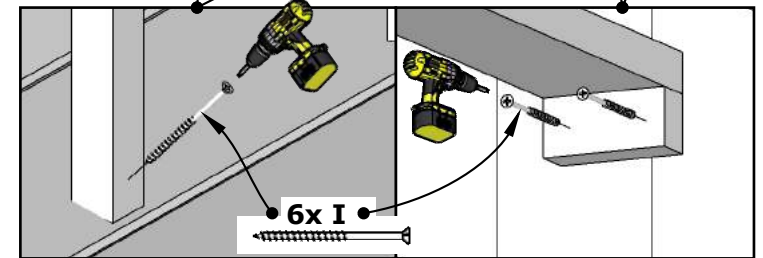
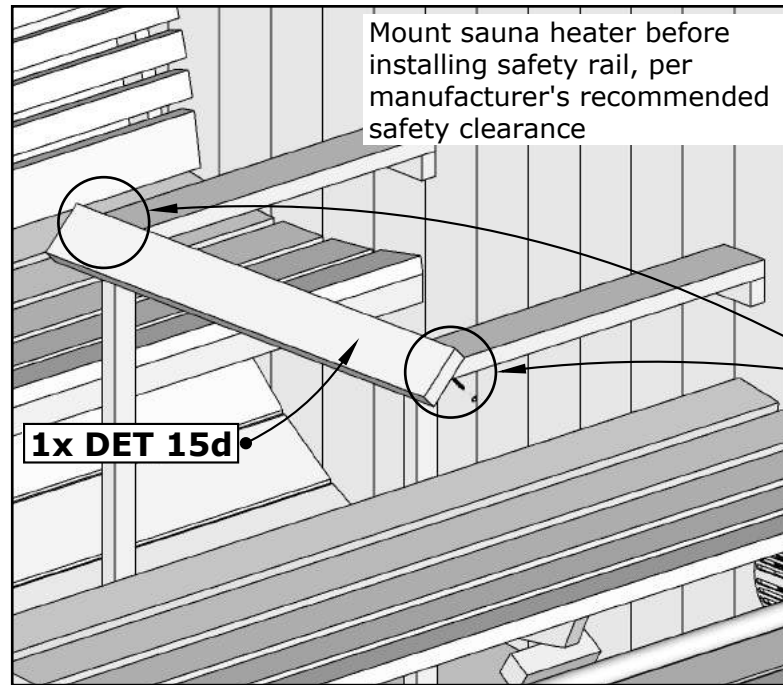
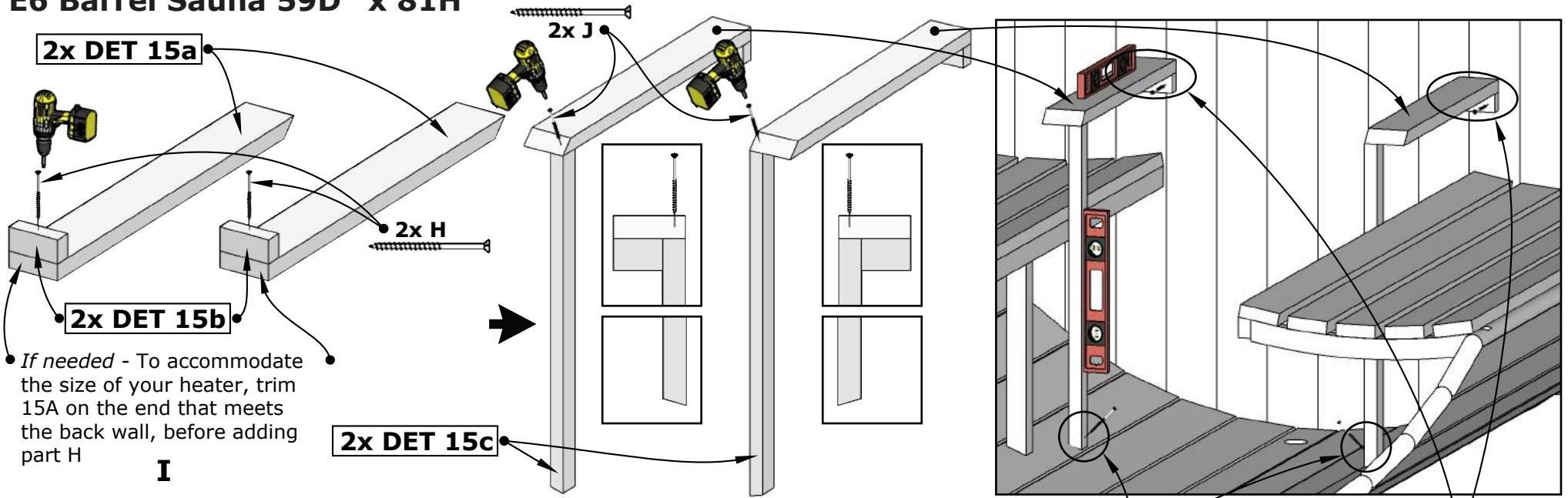


III

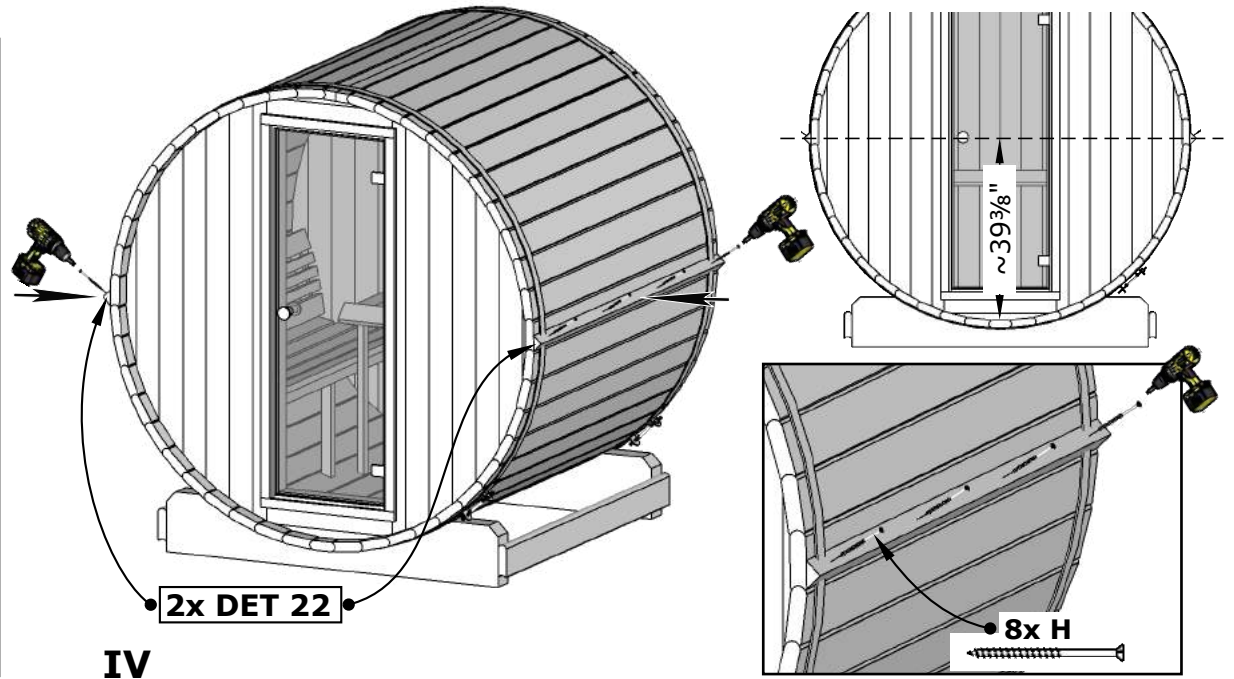
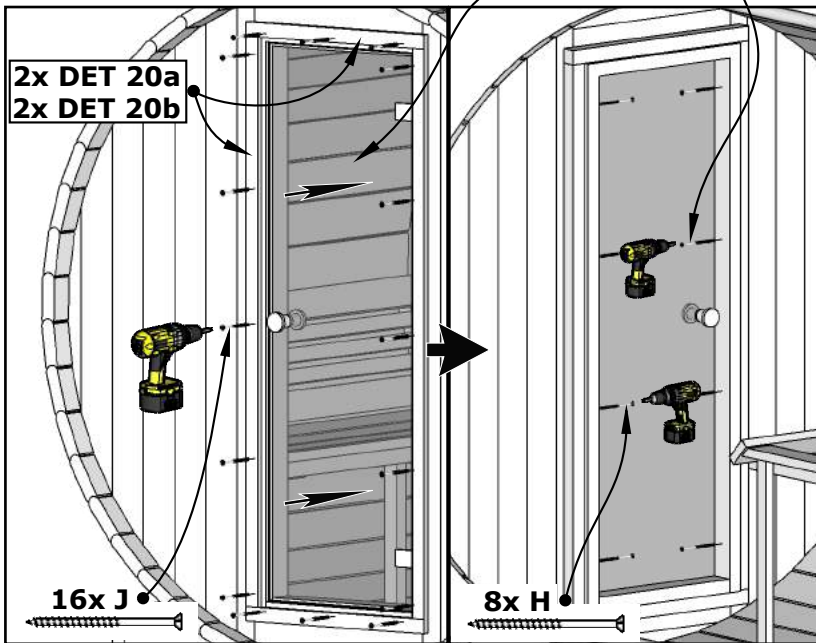
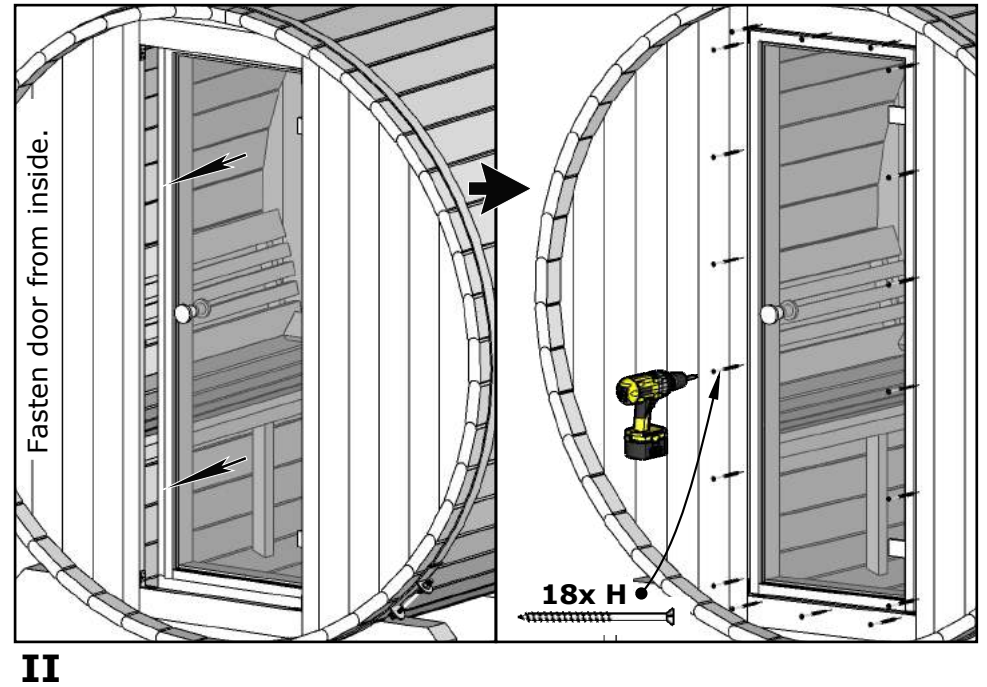
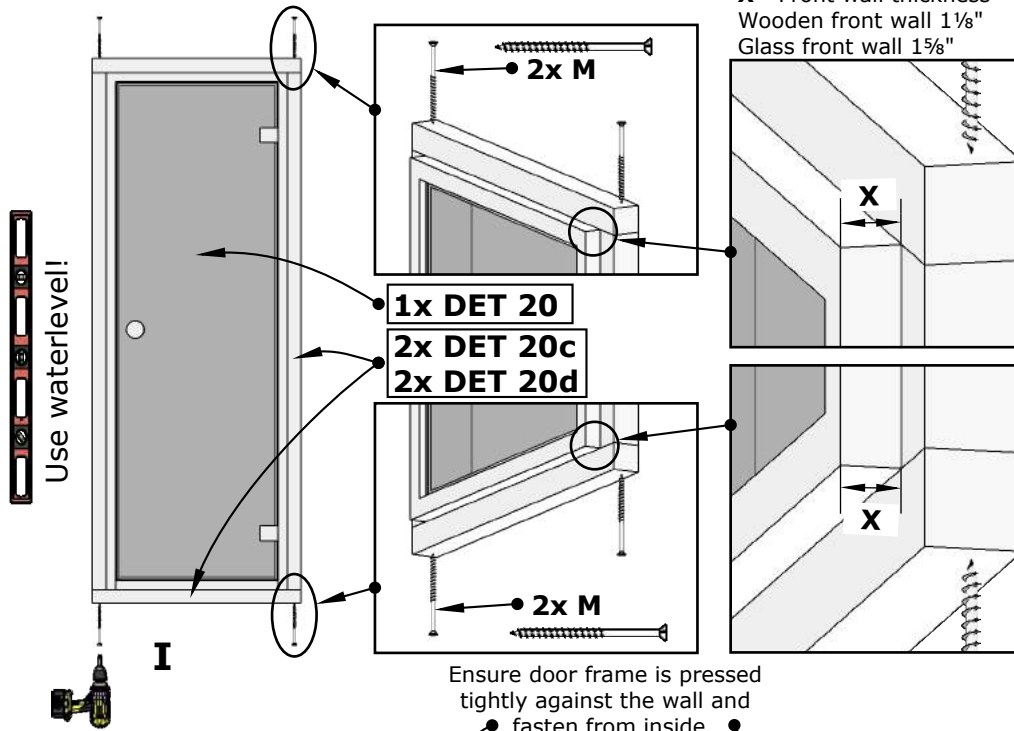
E6 Barrel Sauna 59D" x 81H"



E6 Barrel Sauna 59D" x 81H"

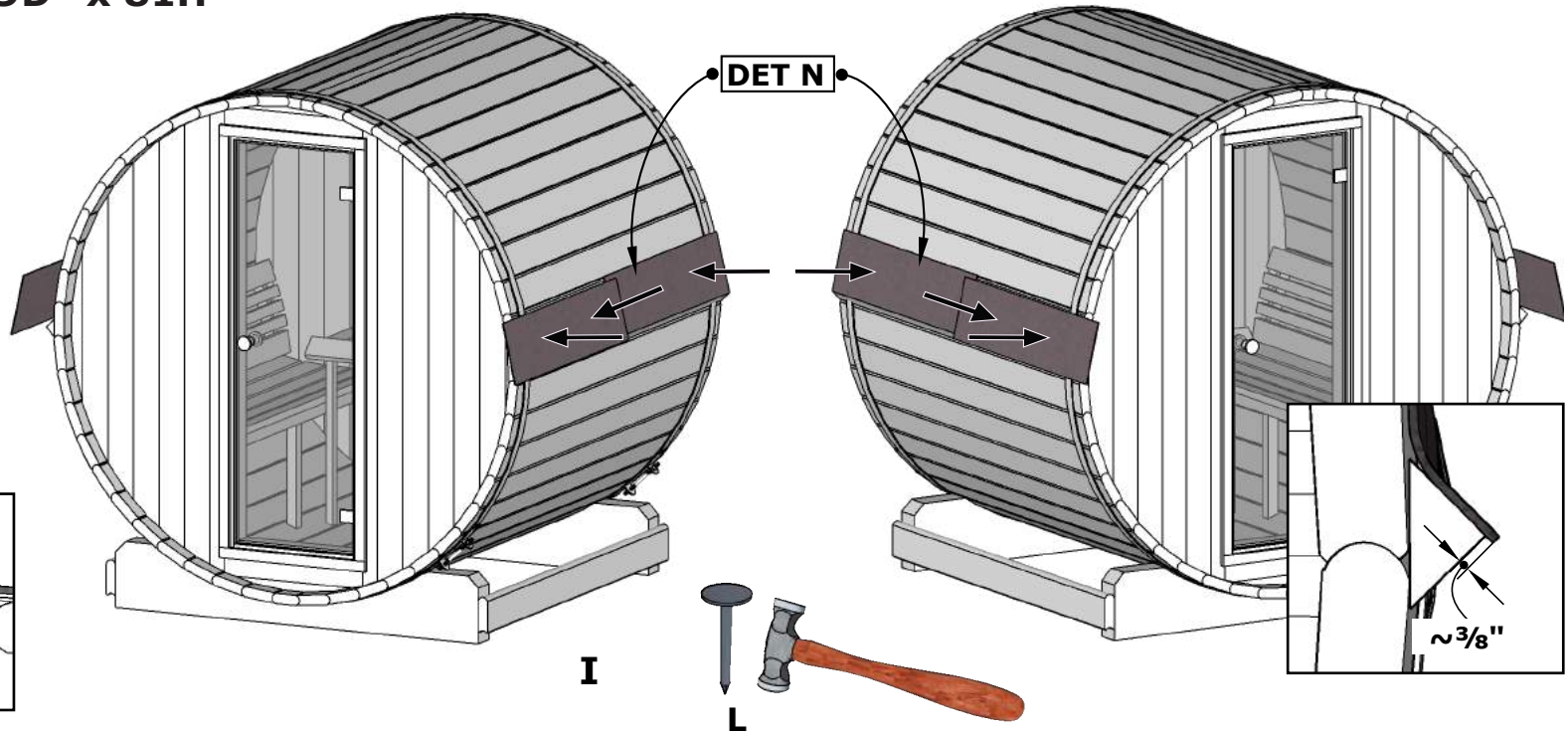
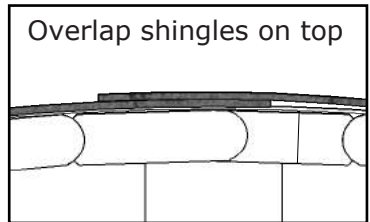


E6 Barrel Sauna 59D" x 81H"

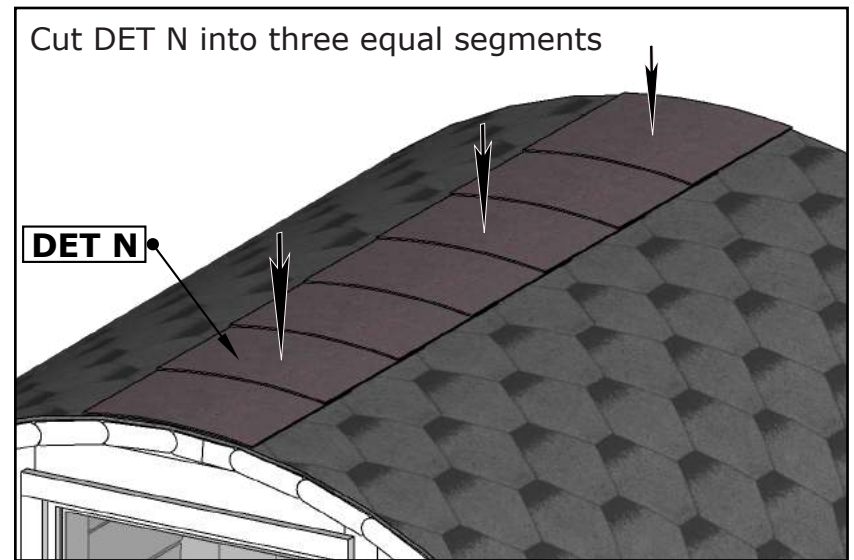
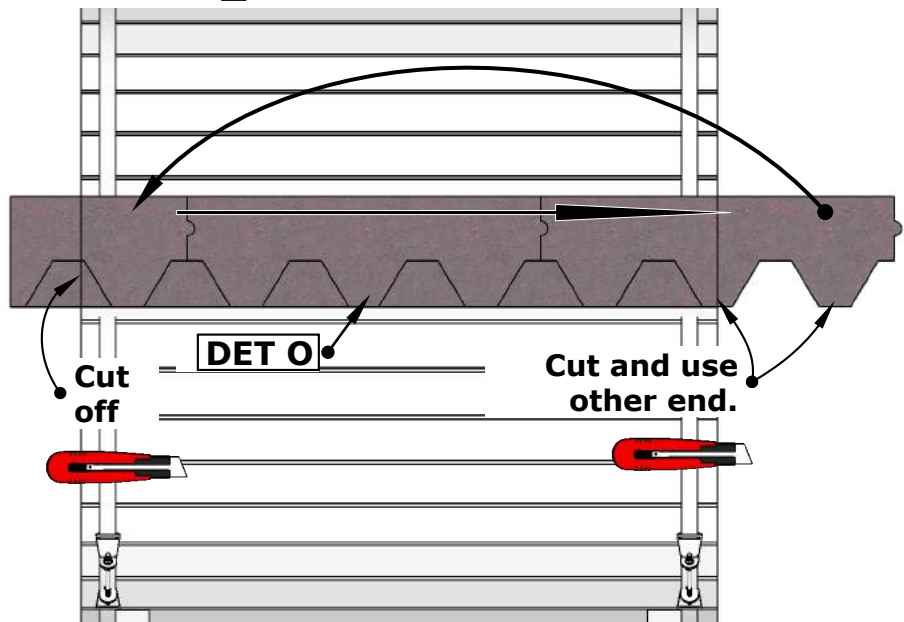


E6 Barrel Sauna 59D" x 81H"

See the installation manual inside the shingles package



Check also roof shingles installation manual inside package.



E6 Barrel Sauna 59D" x 81H"

