



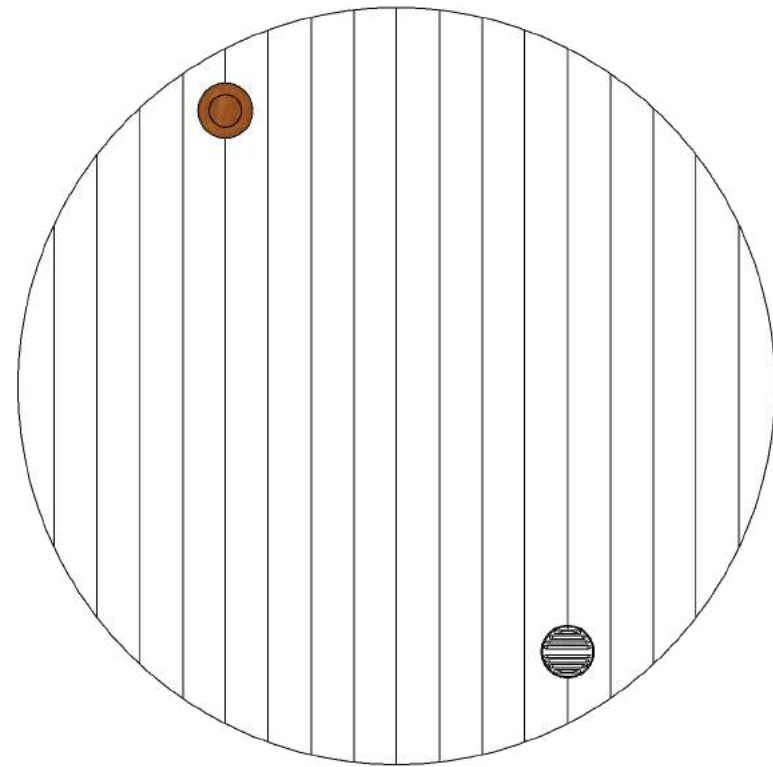
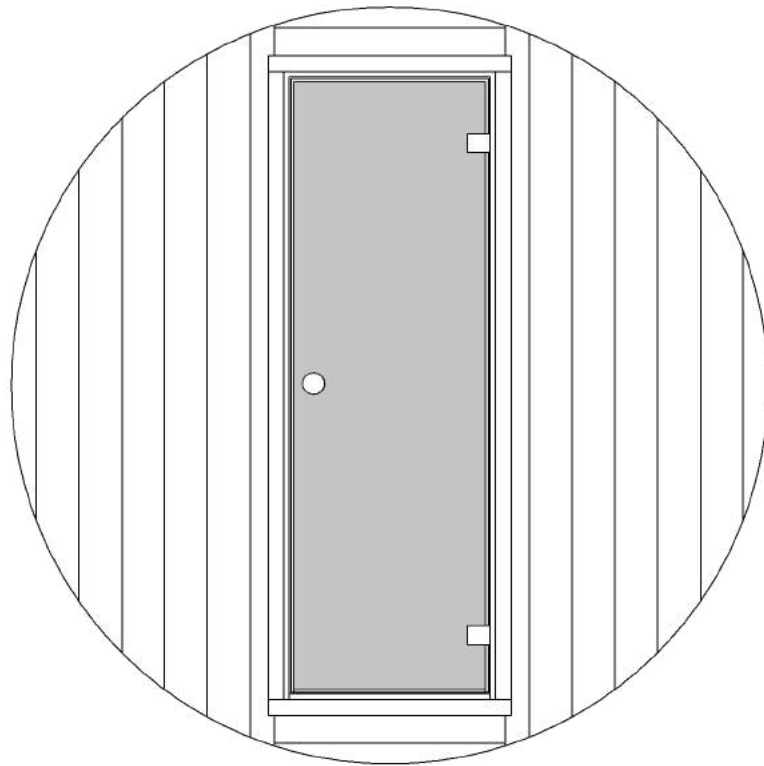
Ergo-Series E7 Barrel Sauna  
71D" x 81H"



**Note: Please read manual before construction**

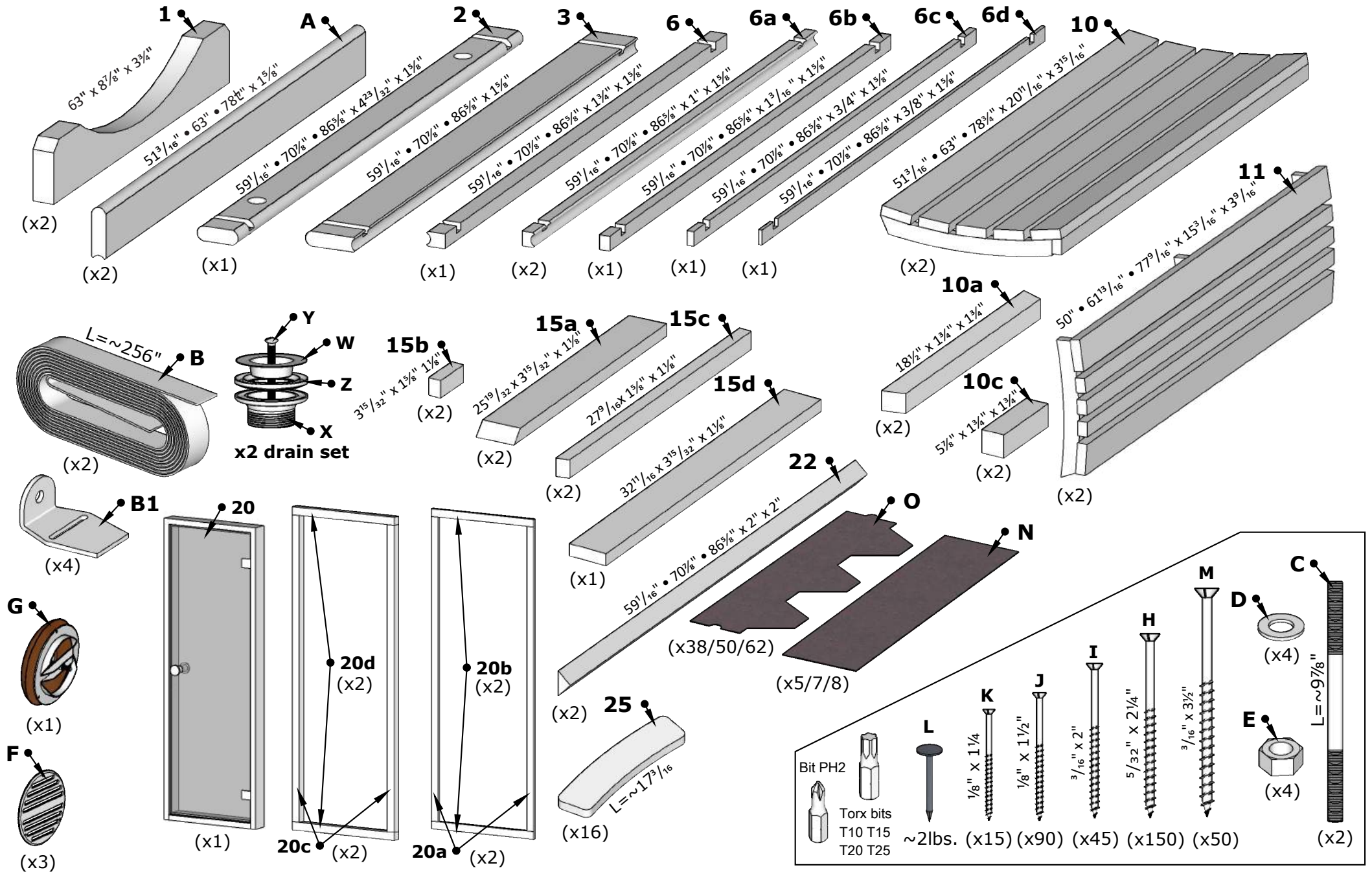
Rev 4/2023

# Front & Back Walls

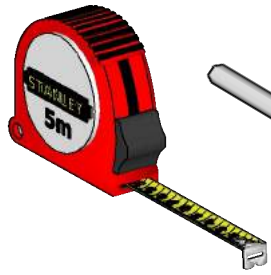


# E7 Barrel Sauna 71D" x 81H"

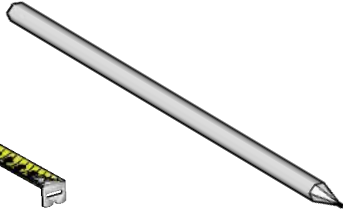
## Details list.



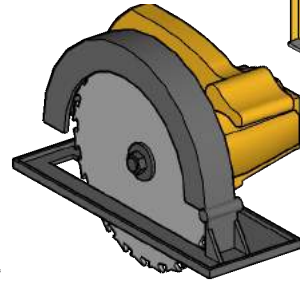
# Tools needed



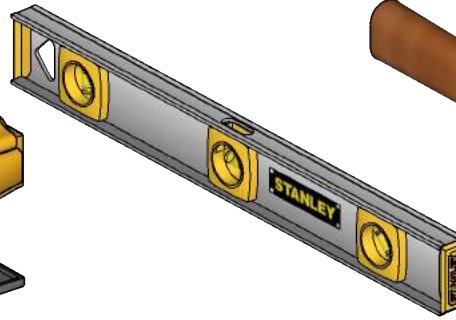
Measuring tape



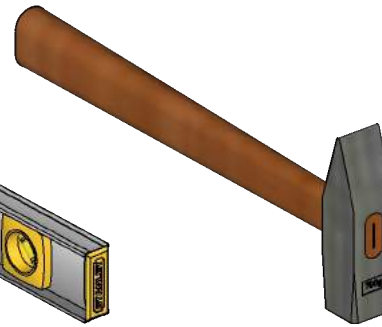
Marker pen



Circular saw



Water level



Hammer



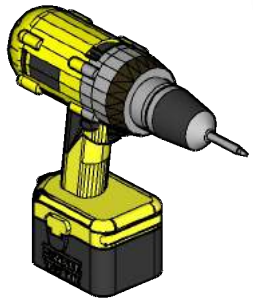
Extra hands



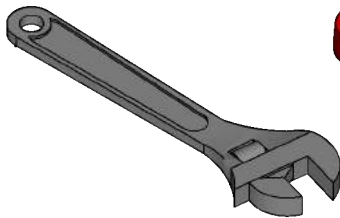
Ratchet strap



Silicone gun  
(Only glass-wall models)



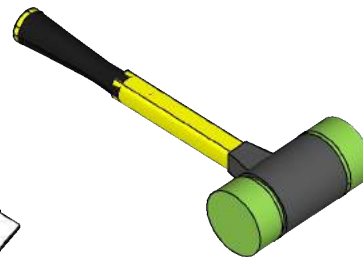
Drill



Crescent wrench



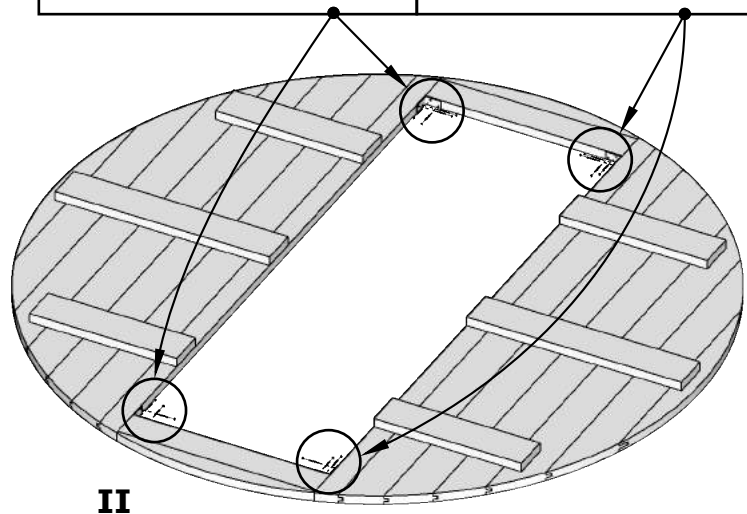
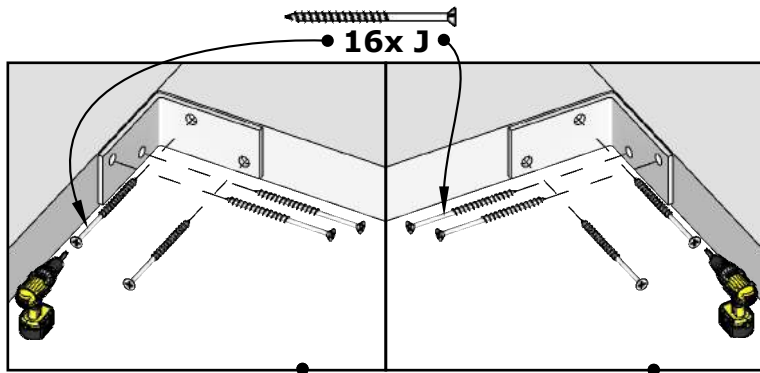
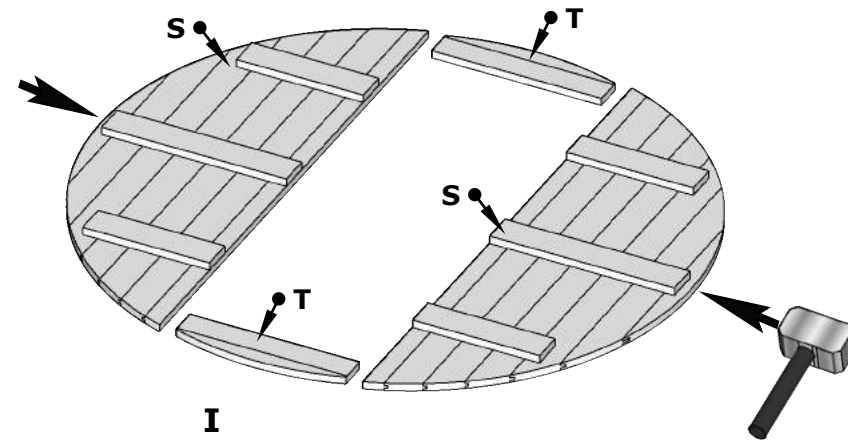
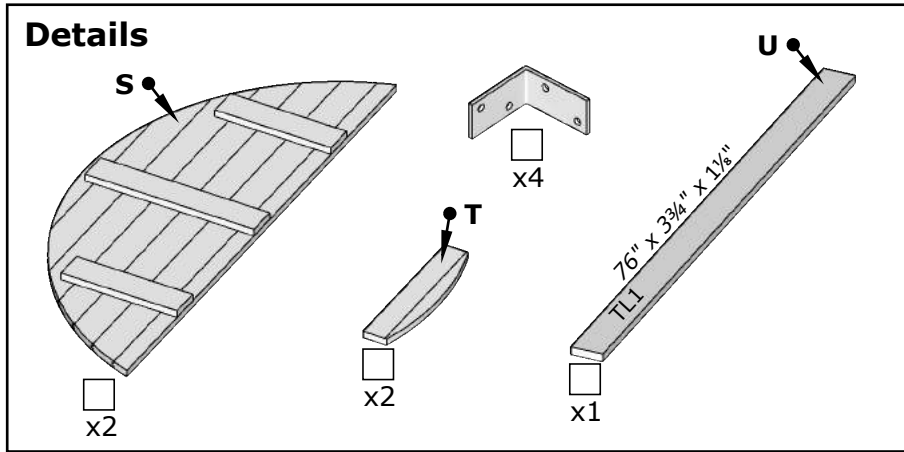
Utility knife



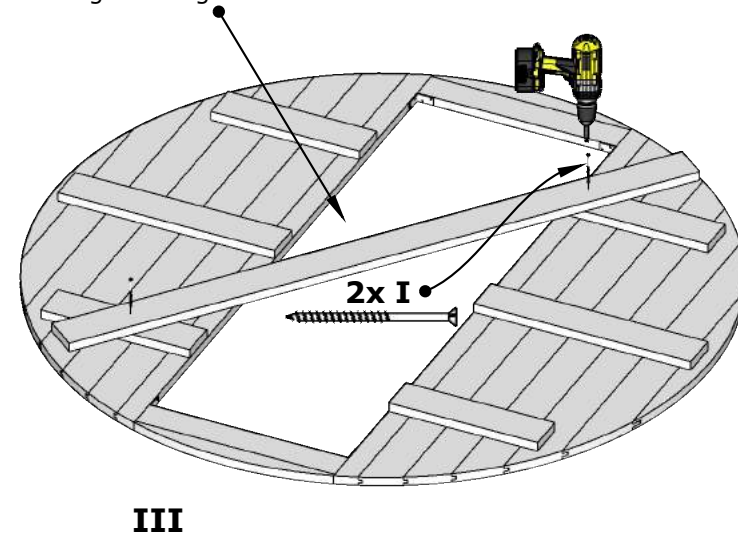
Rubber mallet

# Wooden front wall installation

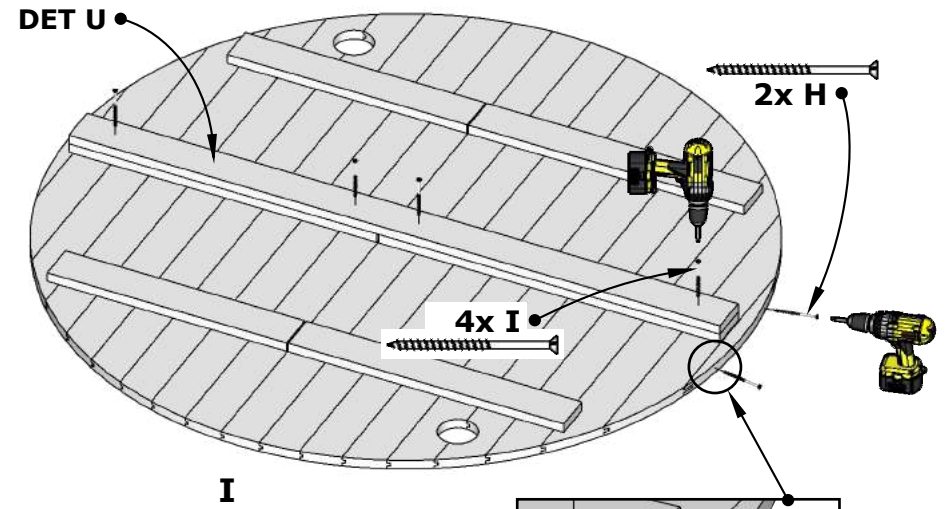
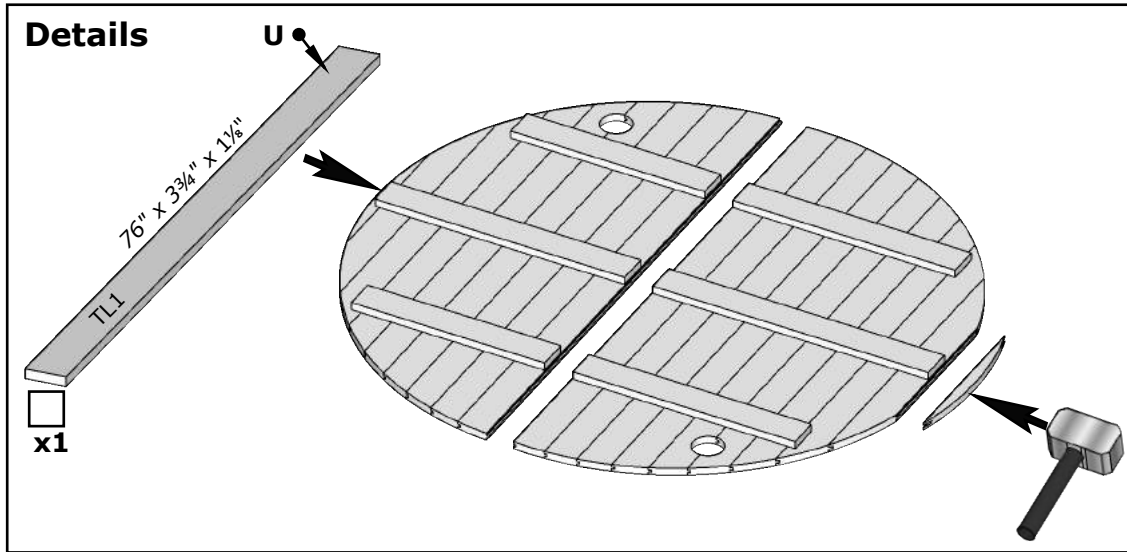
## Details



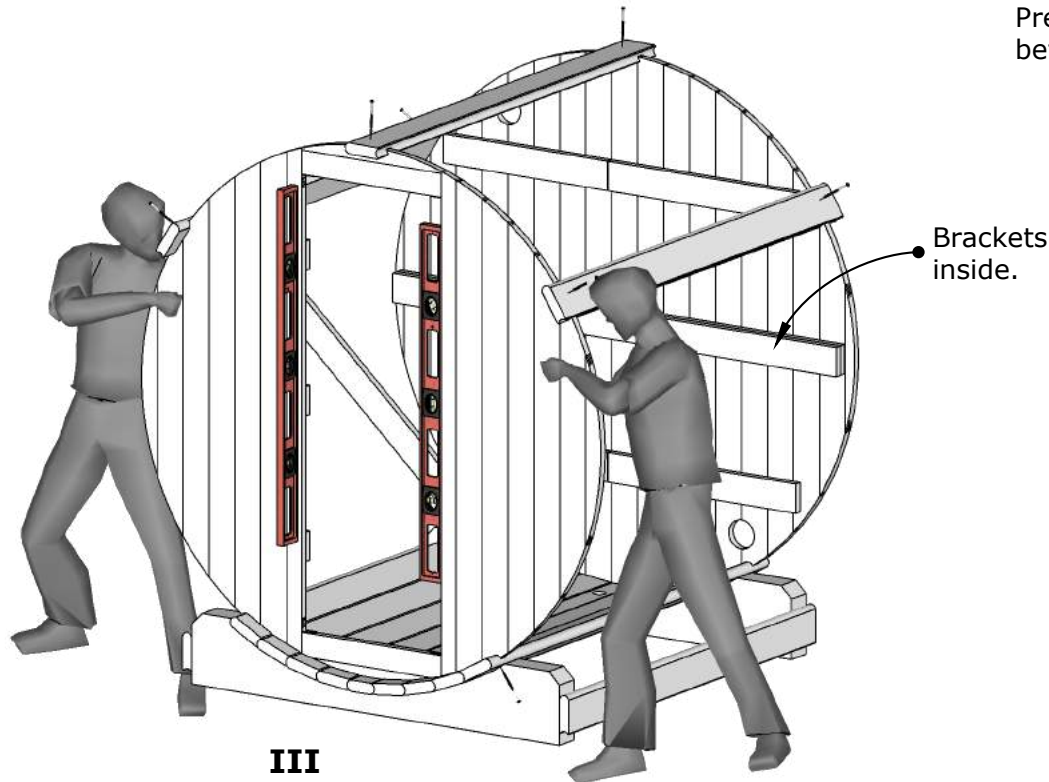
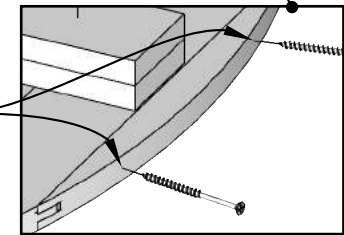
**DET U** Fix it diagonally to make wall more rigid during the installation.



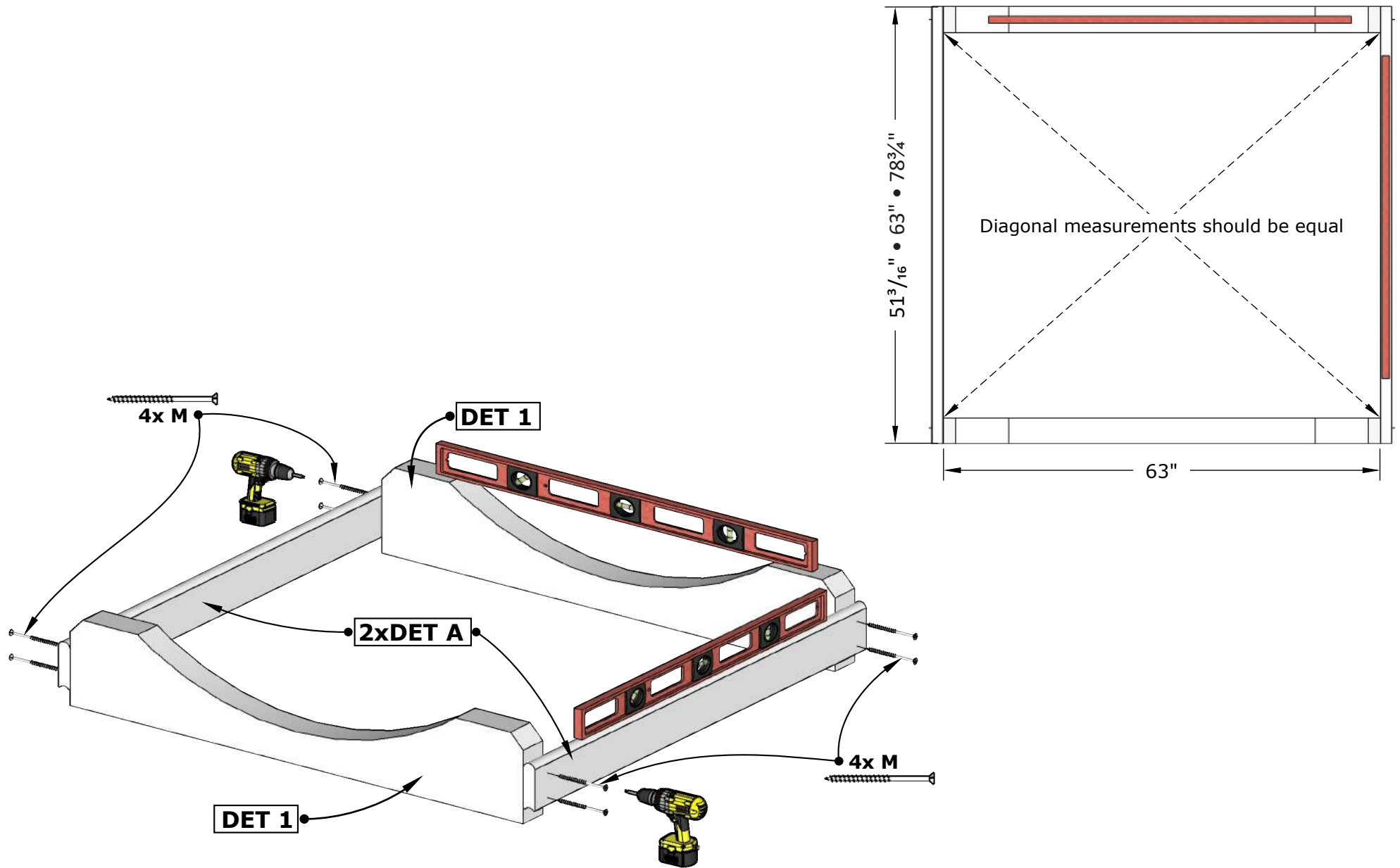
# Wooden back wall installation



Pre-drill holes 5/32" before screws.

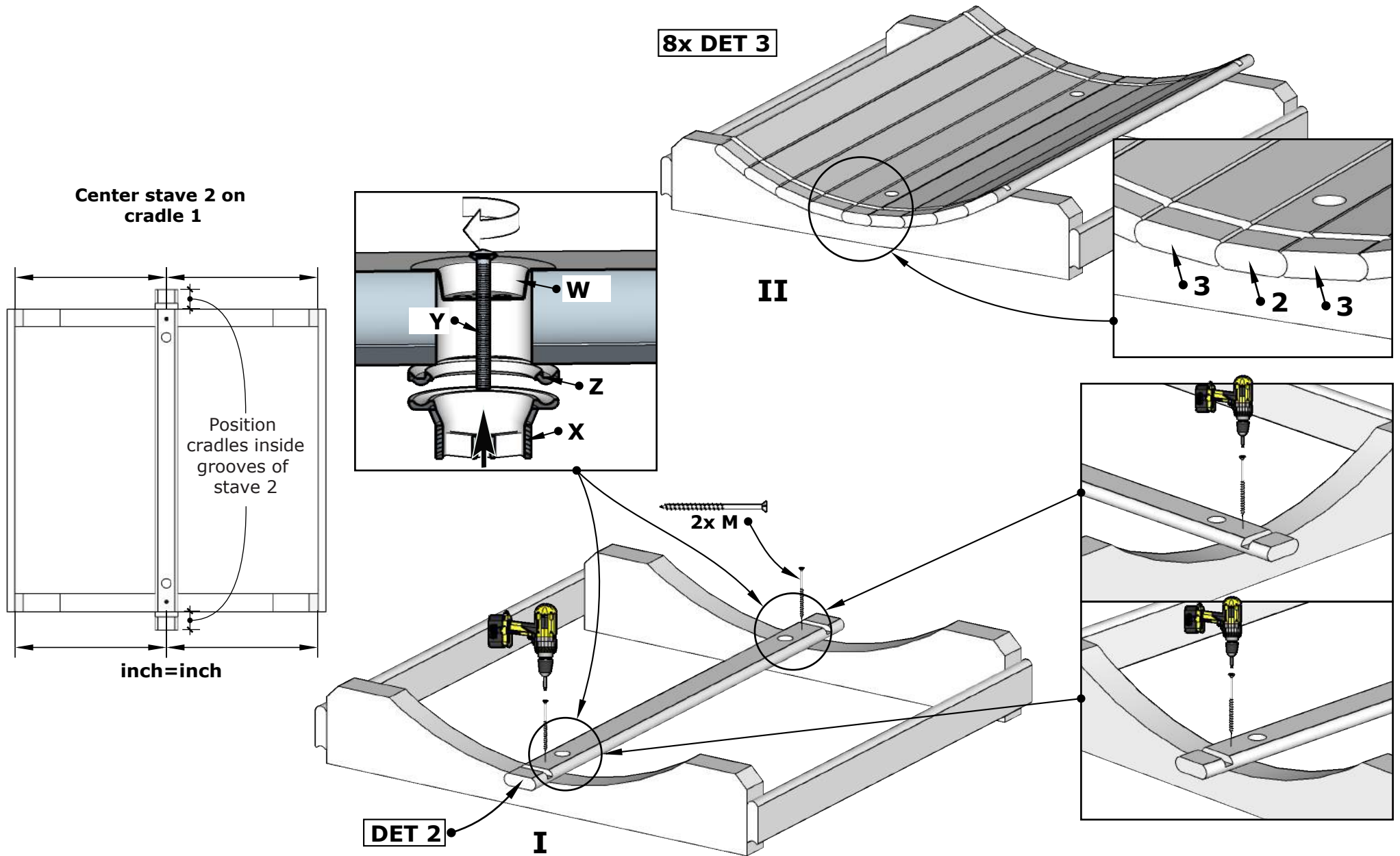


# E7 Barrel Sauna 71D" x 81H"



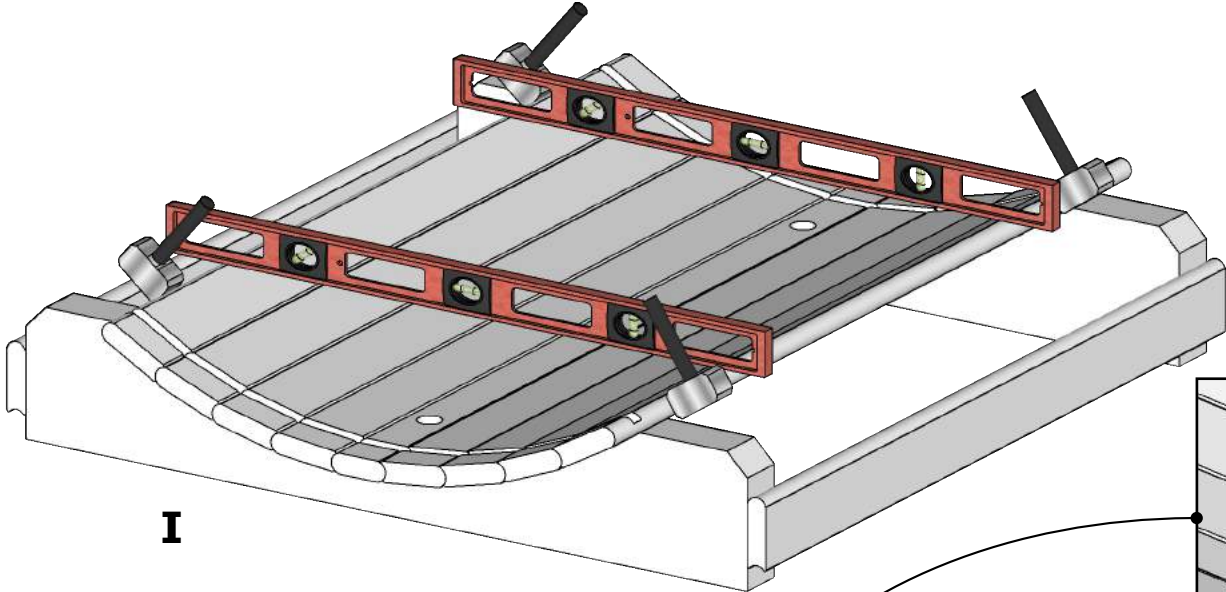
1.

# E7 Barrel Sauna 71D" x 81H"

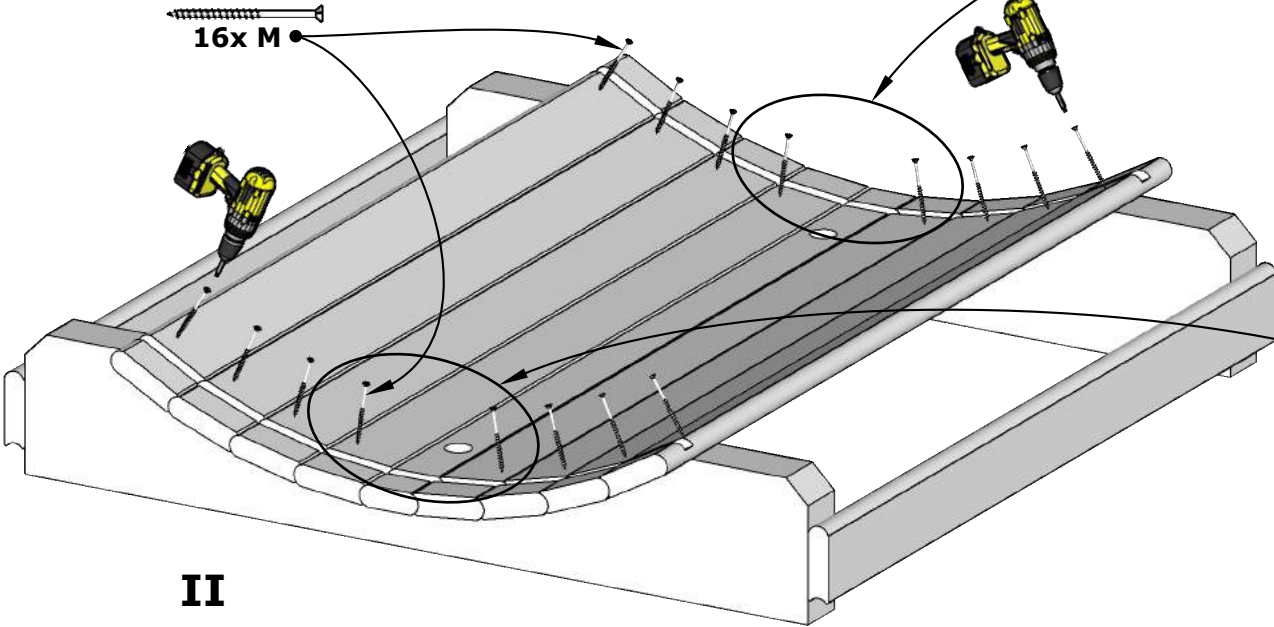




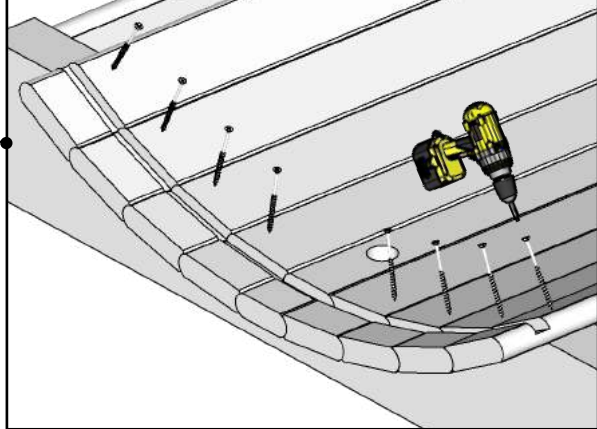
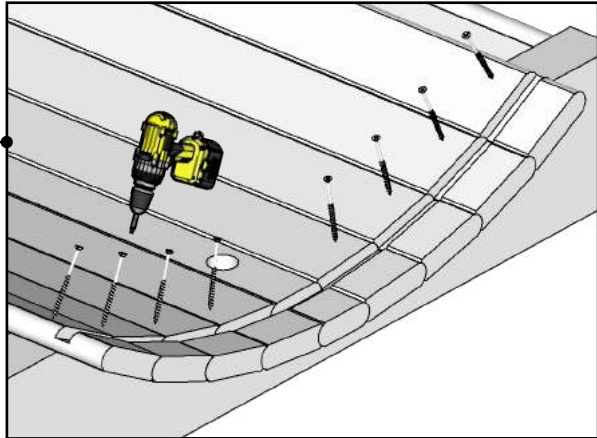
# E7 Barrel Sauna 71D" x 81H"



I

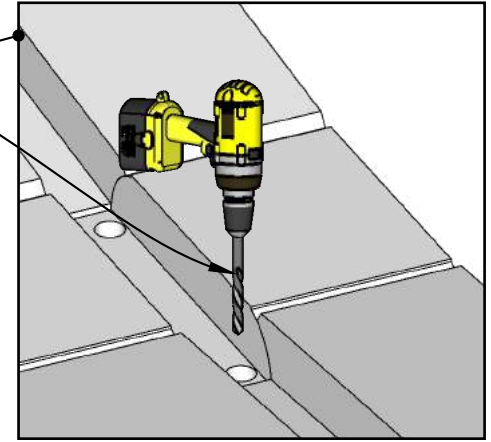
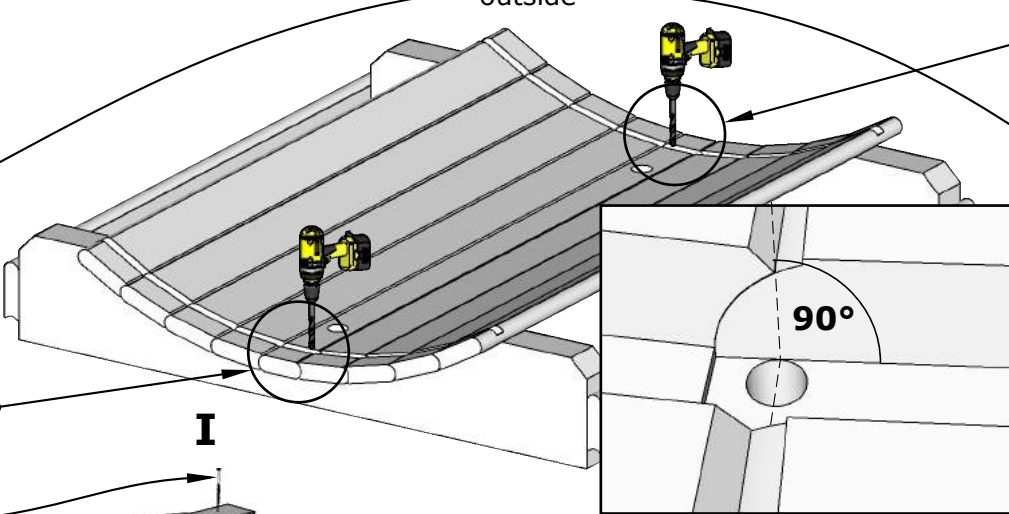
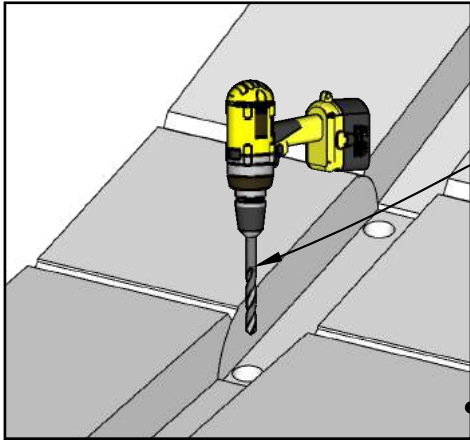


II

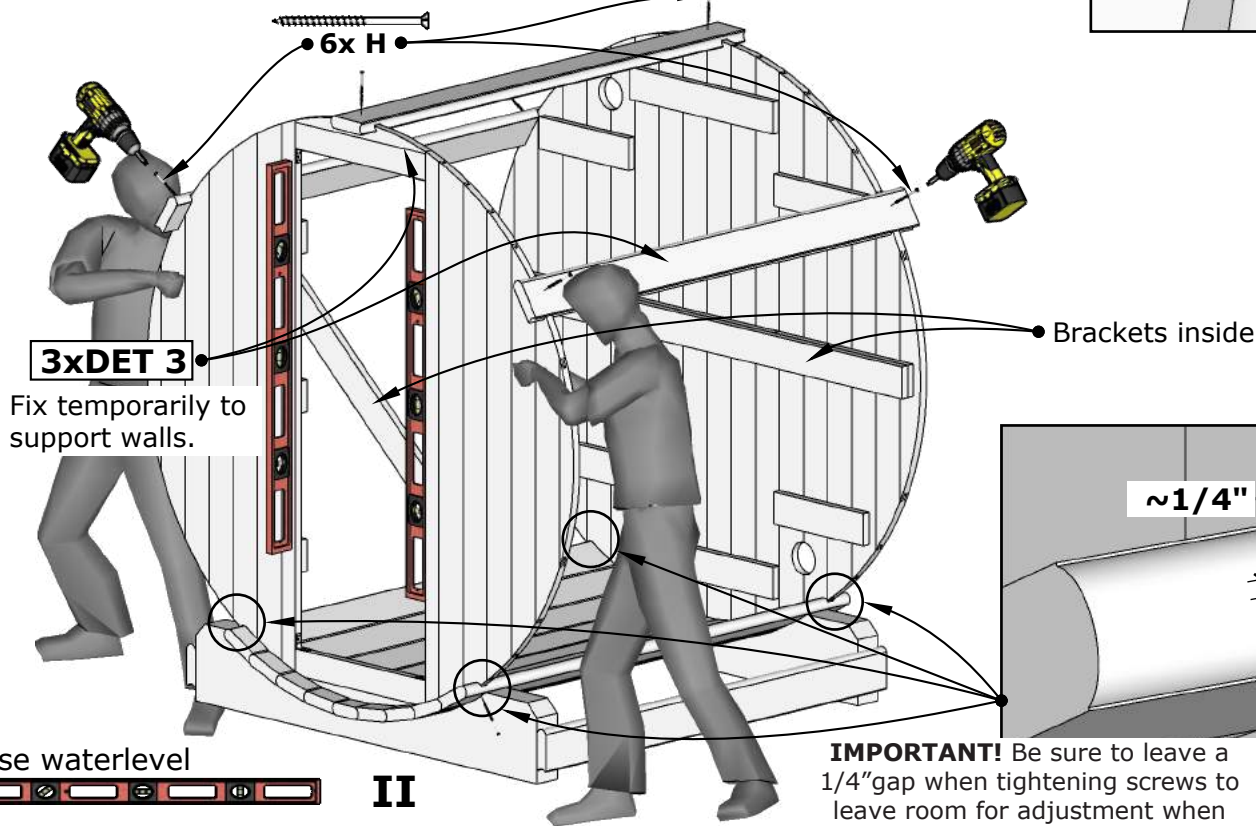


# E7 Barrel Sauna 71D" x 81H"

Drill 4 holes  $\varnothing 1/2"$   
through DET 2  
outside



**I**



**3xDET 3**  
Fix temporarily to  
support walls.

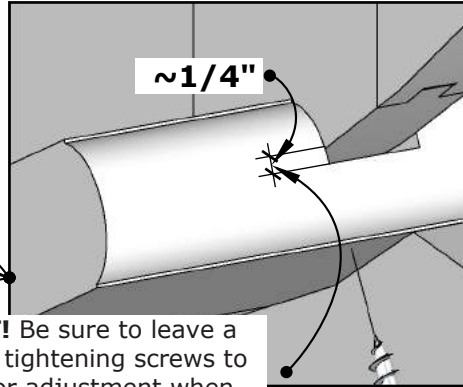
6x H

Brackets inside

Use waterlevel

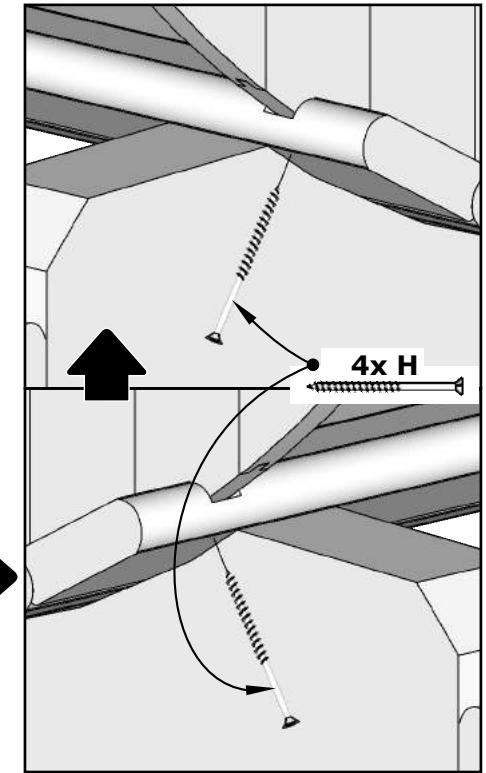


**II**



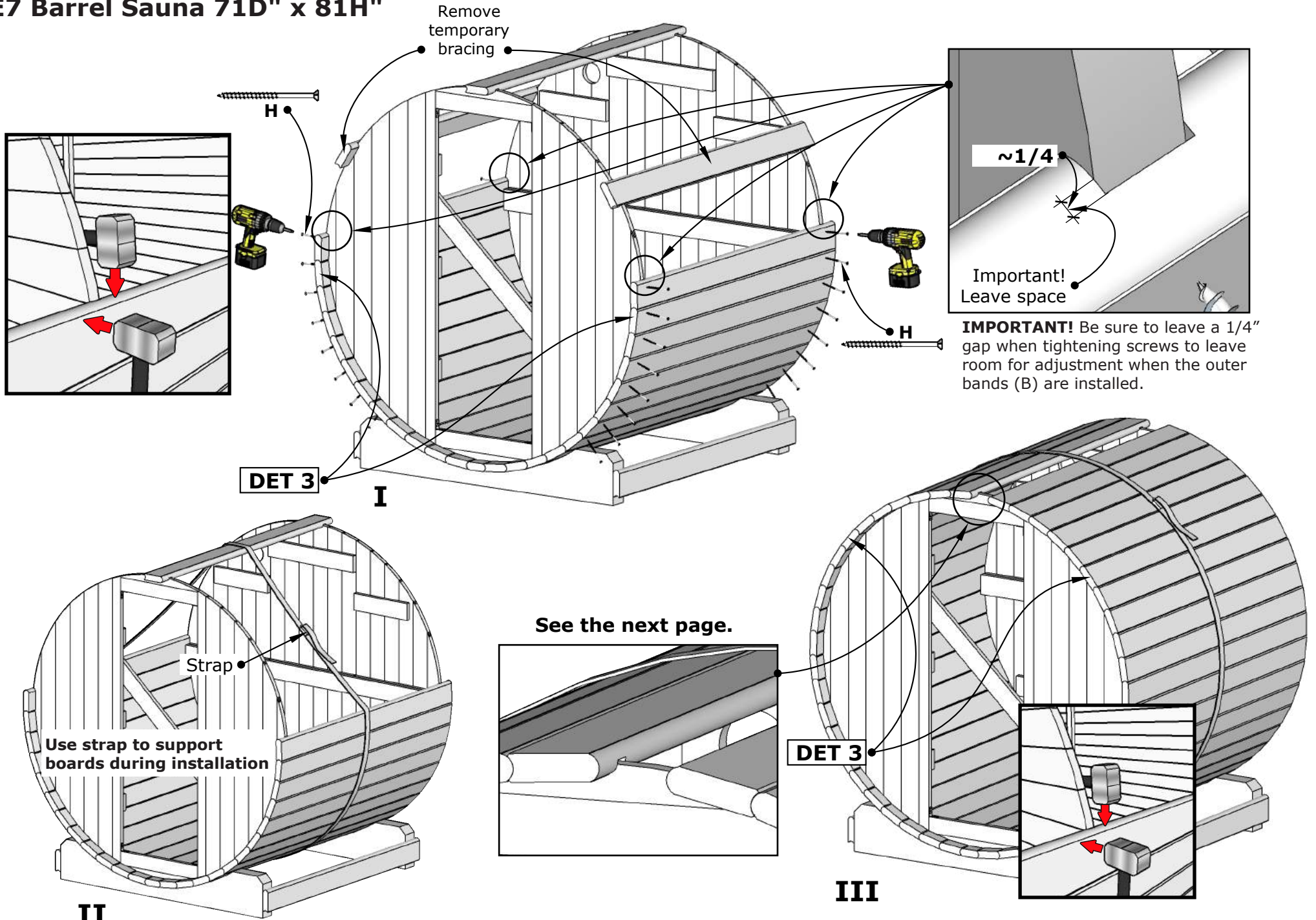
~1/4"

**IMPORTANT!** Be sure to leave a 1/4" gap when tightening screws to leave room for adjustment when the outer bands (B) are installed.

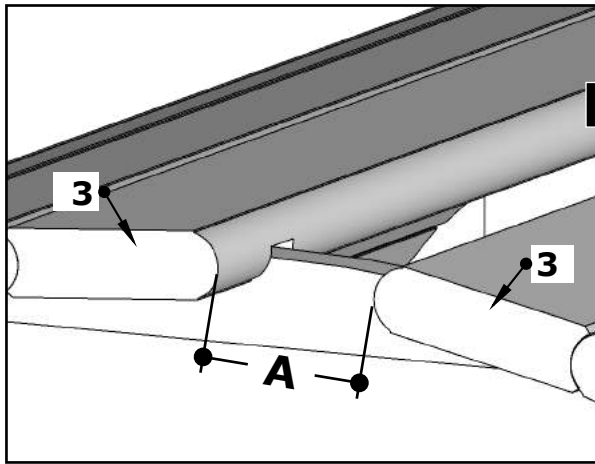


4x H

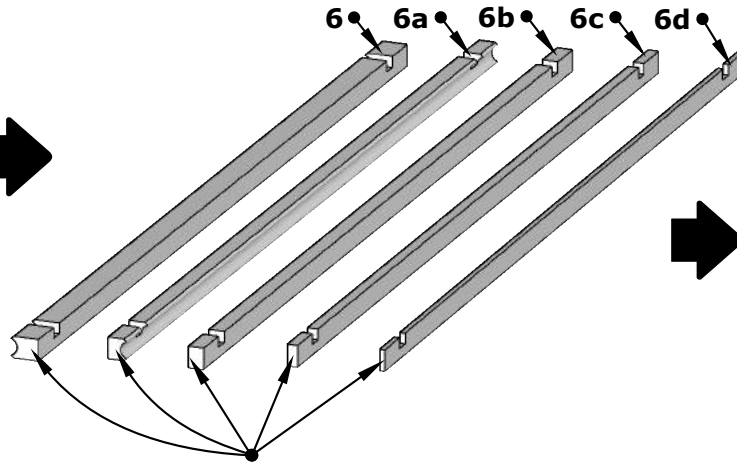
# E7 Barrel Sauna 71D" x 81H"



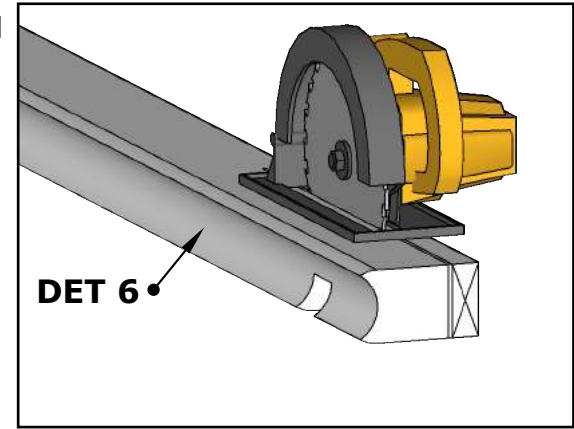
# E7 Barrel Sauna 71D" x 81H"



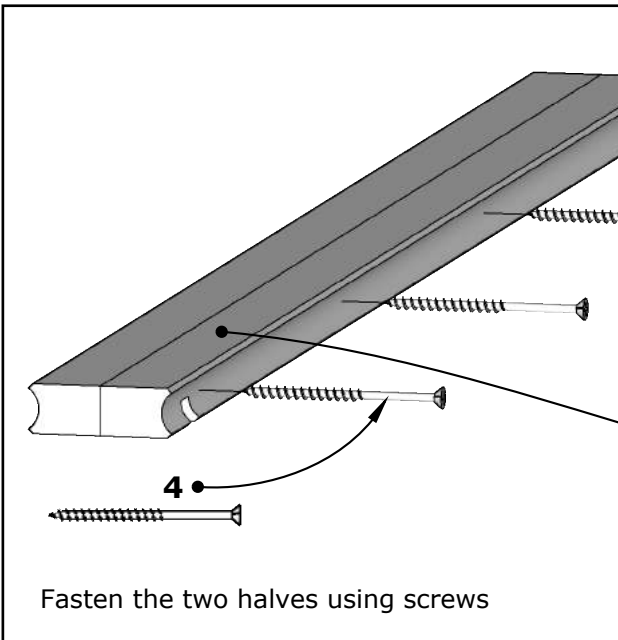
**I**



Join two boards together (as shown in diagram II) that will bridge the width of the "A" gap. It is recommended that the combined boards are approximately 1/4" wider than the gap.

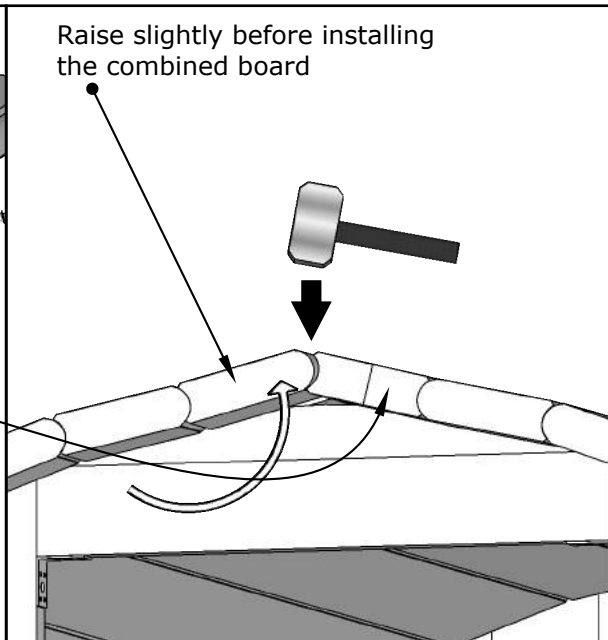


If needed, trim the flat edge of the board to create the desired width.

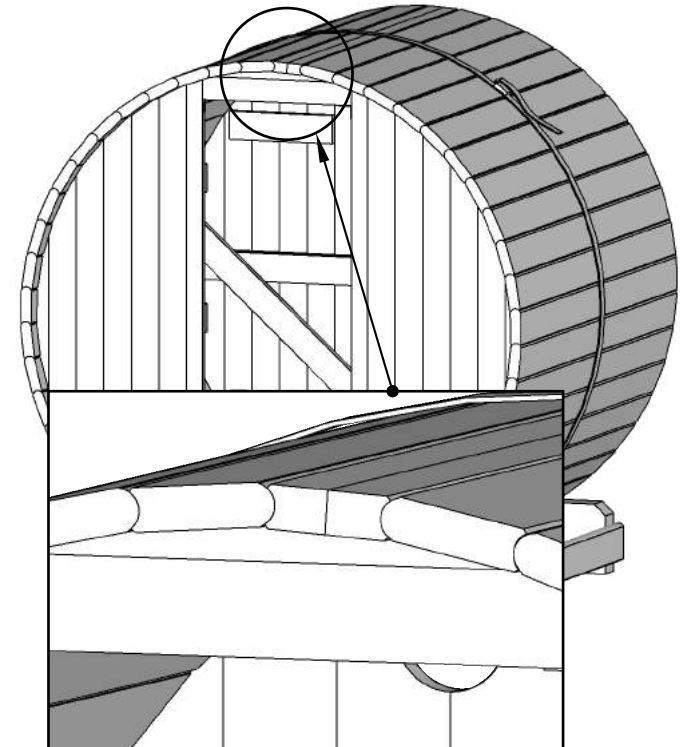


Fasten the two halves using screws

**II**

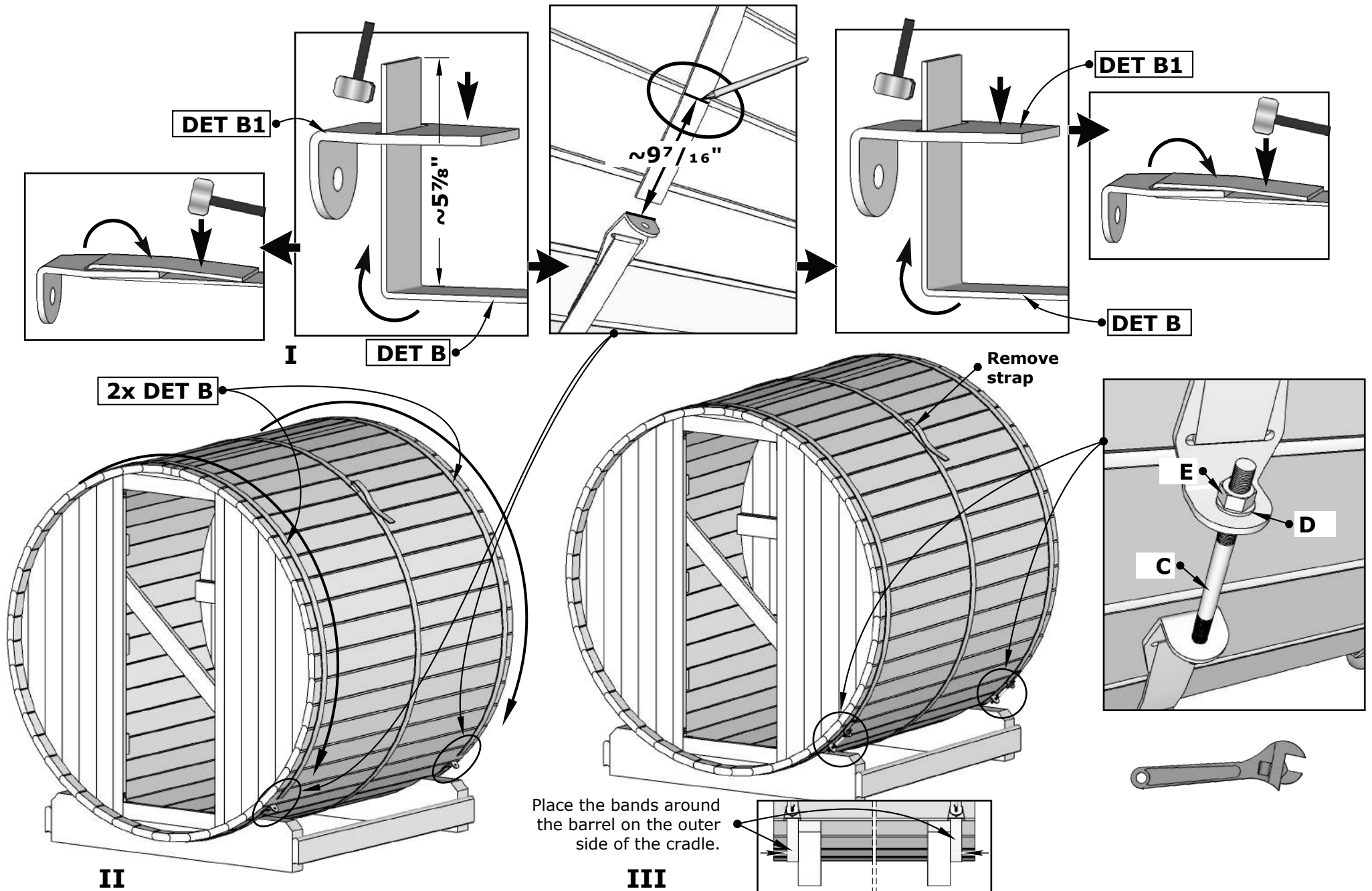


Raise slightly before installing the combined board



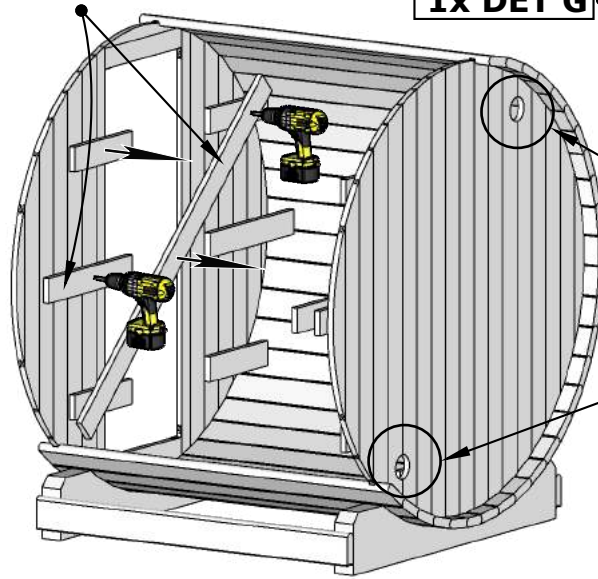
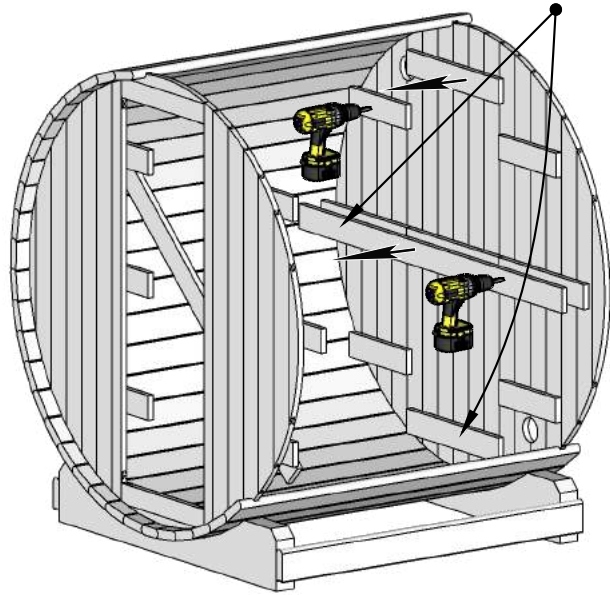
**III**

# E7 Barrel Sauna 71D" x 81H"

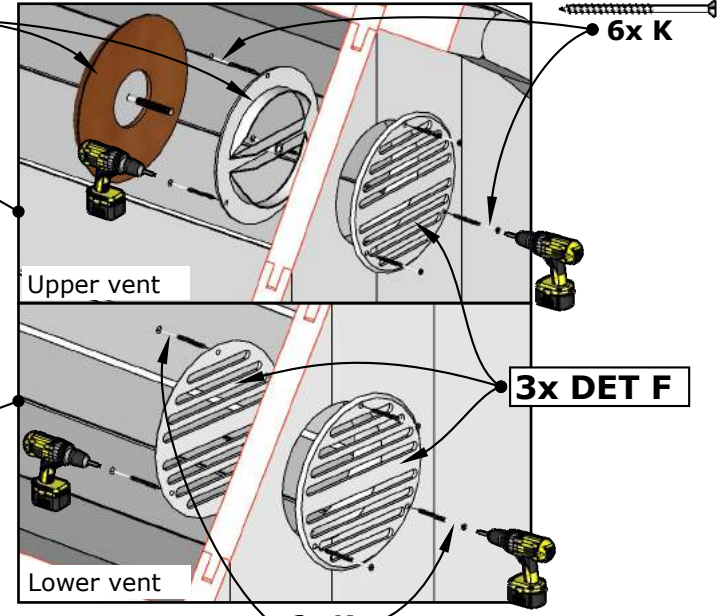


# E7 Barrel Sauna 71D" x 81H"

Remove all temporary braces



1x DET G



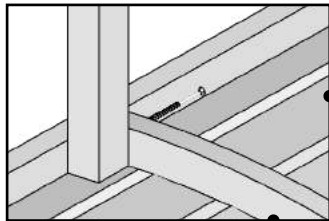
Upper vent

Lower vent

3x DET F

6x K

I

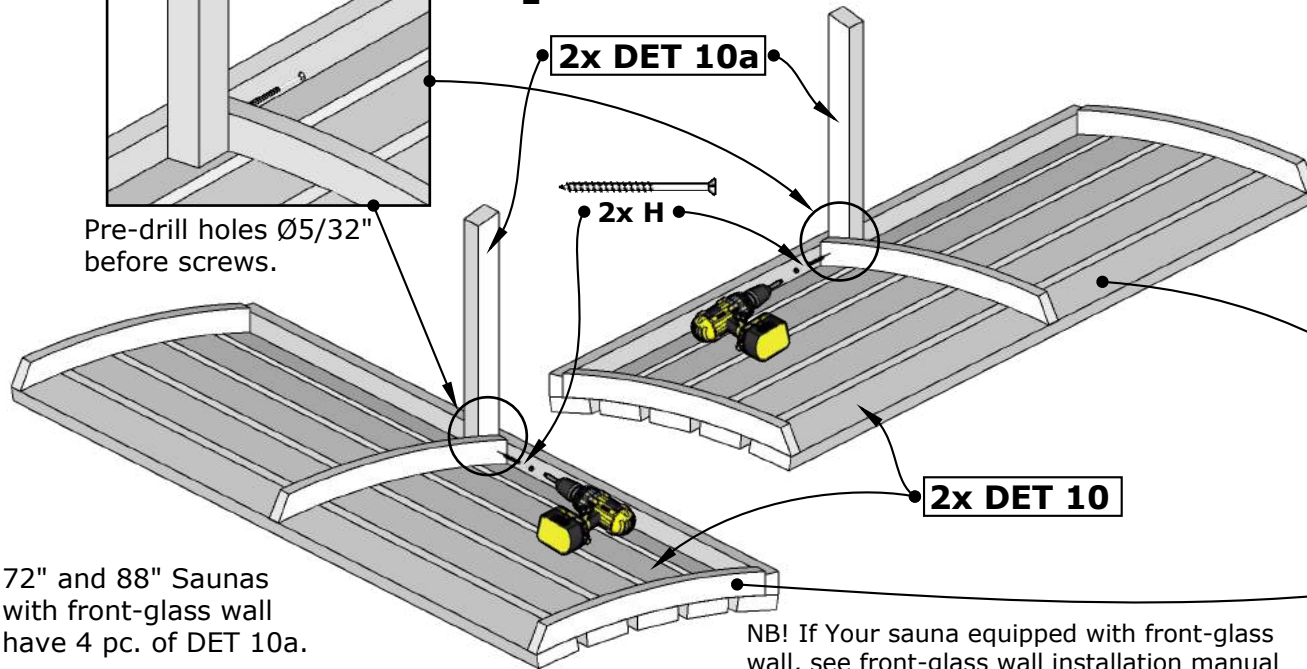


Pre-drill holes Ø5/32" before screws.

2x DET 10a

2x H

2x DET 10



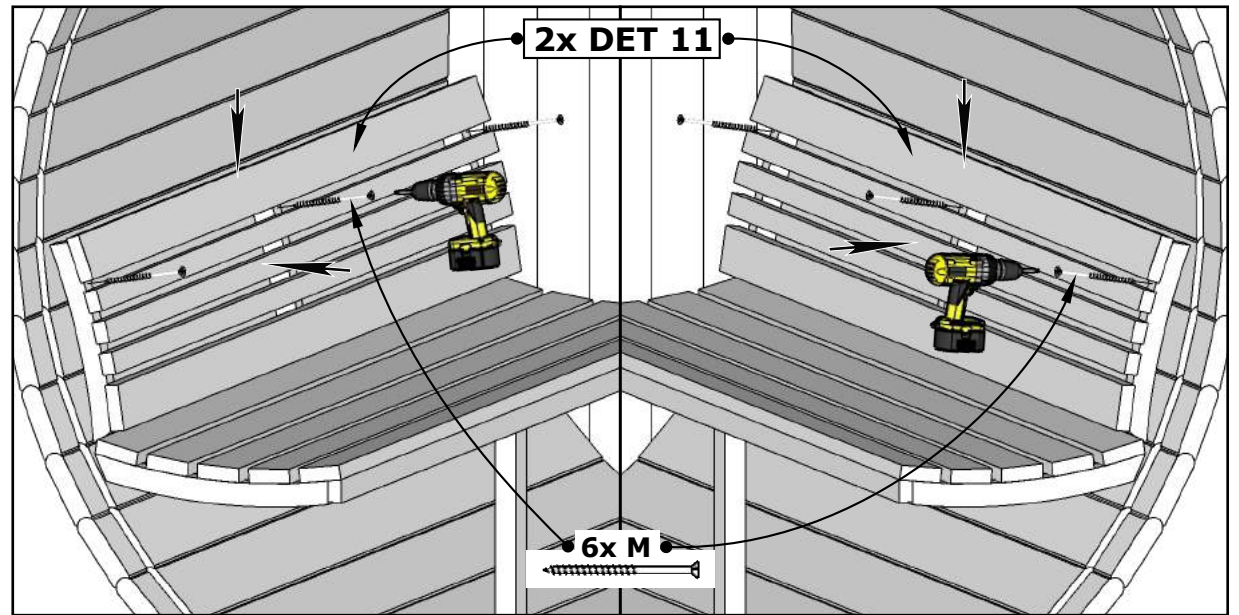
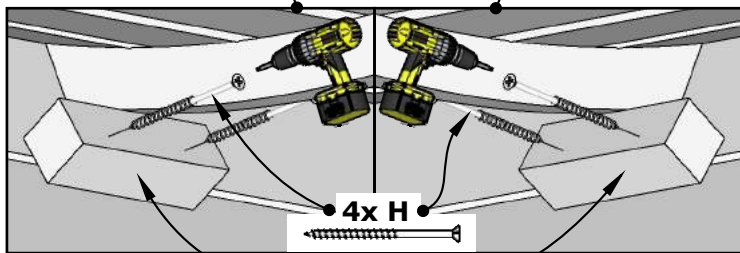
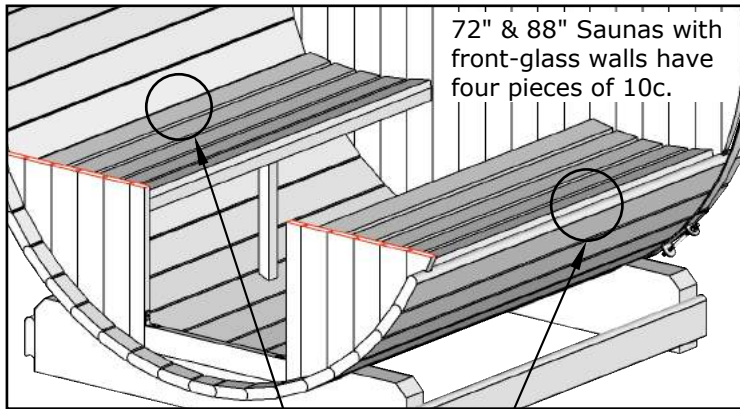
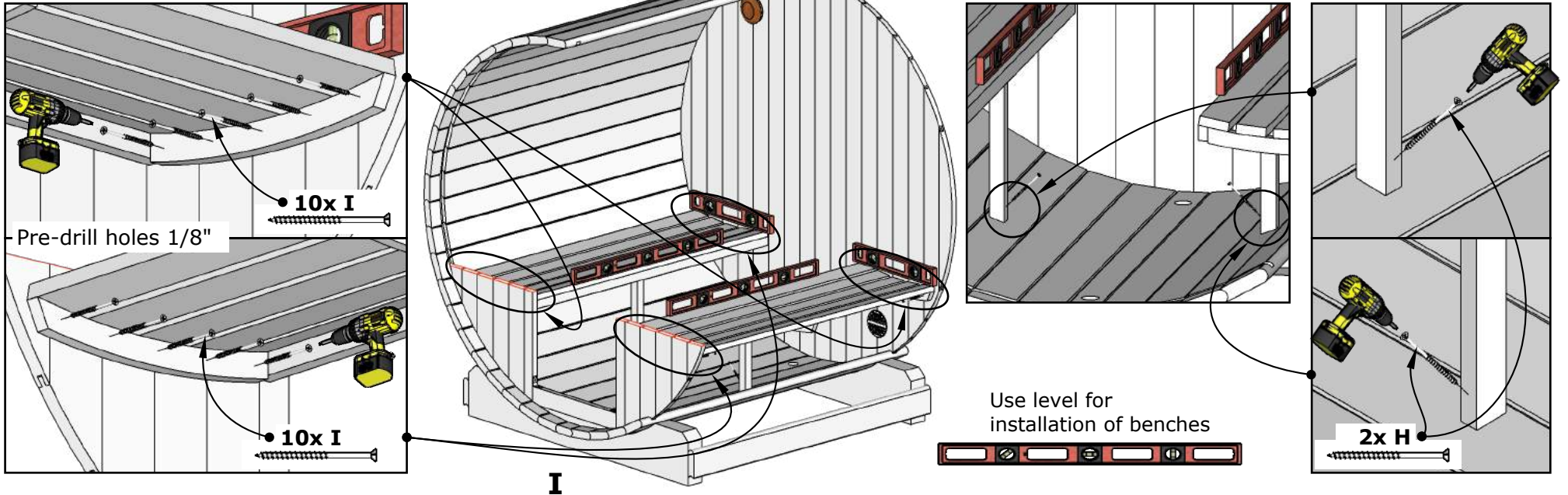
72" and 88" Saunas with front-glass wall have 4 pc. of DET 10a.

NB! If Your sauna equipped with front-glass wall, see front-glass wall installation manual for proper benches installation.

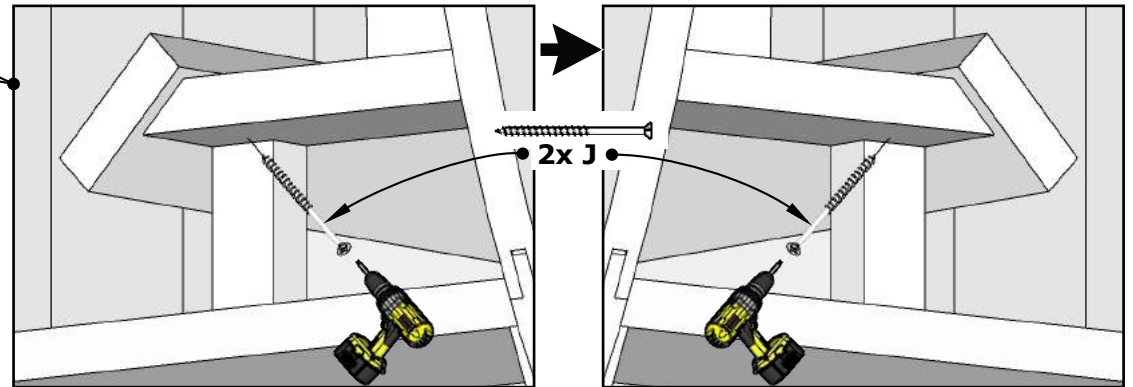
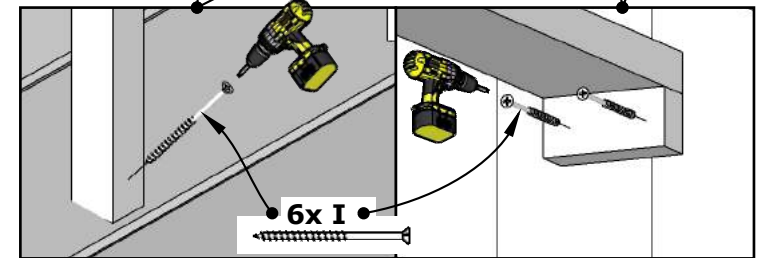
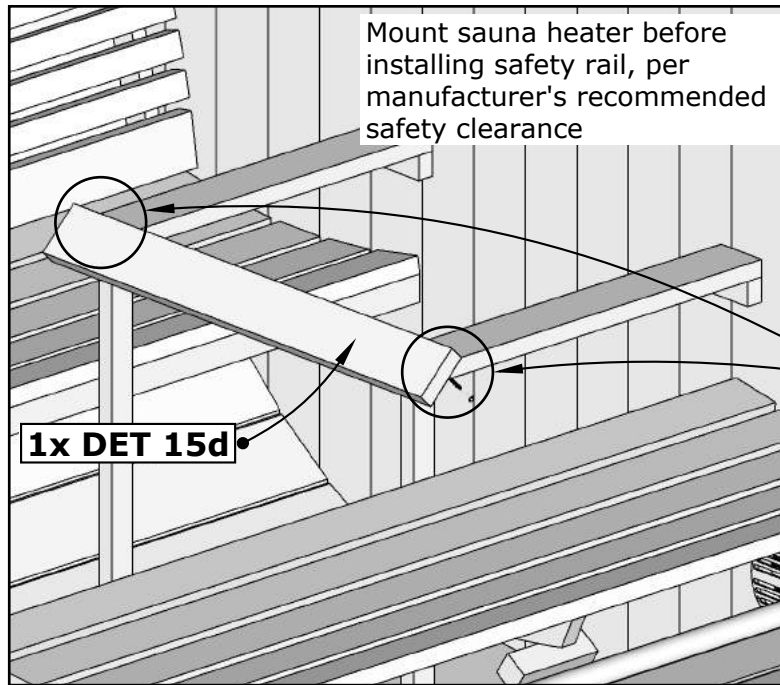
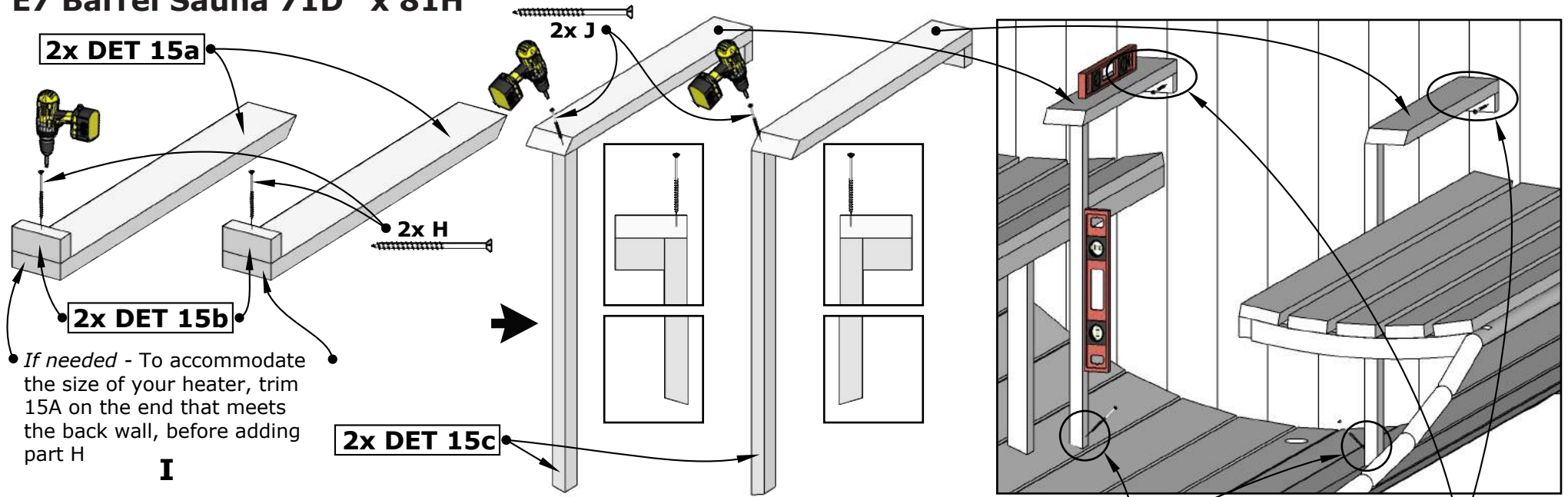
III



# E7 Barrel Sauna 71D" x 81H"



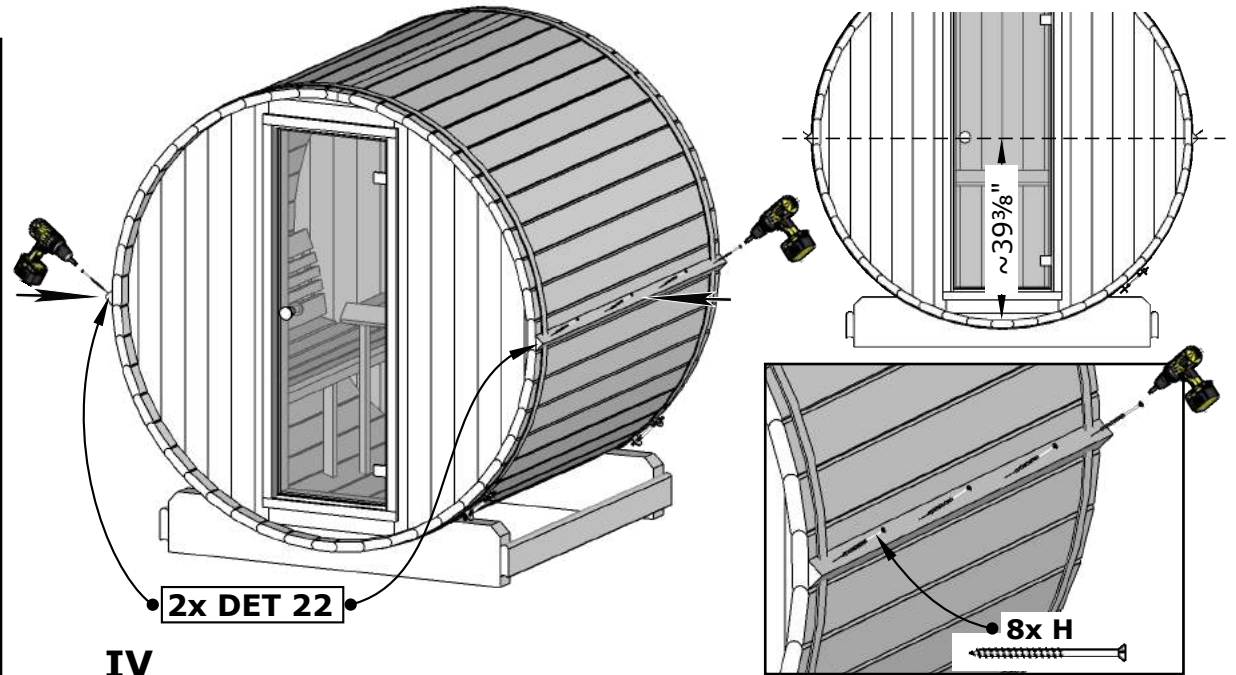
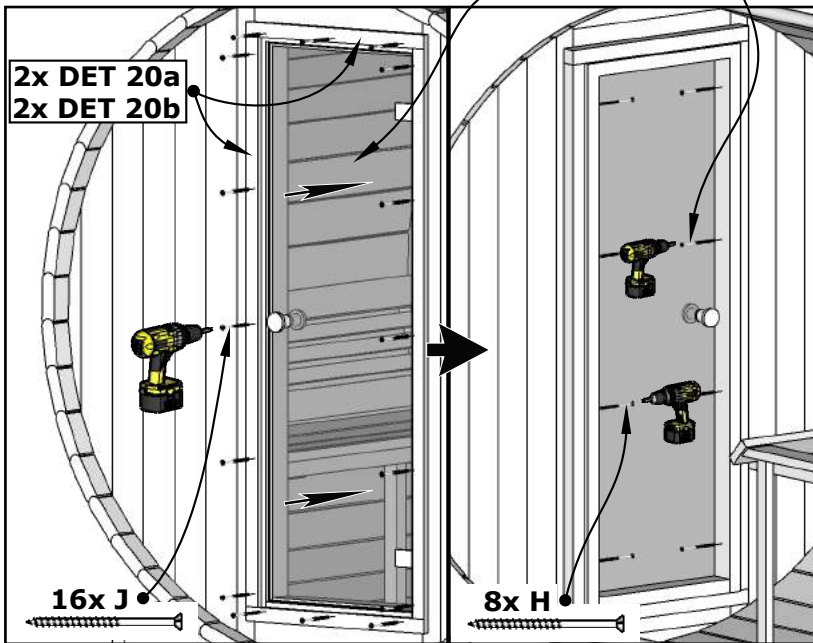
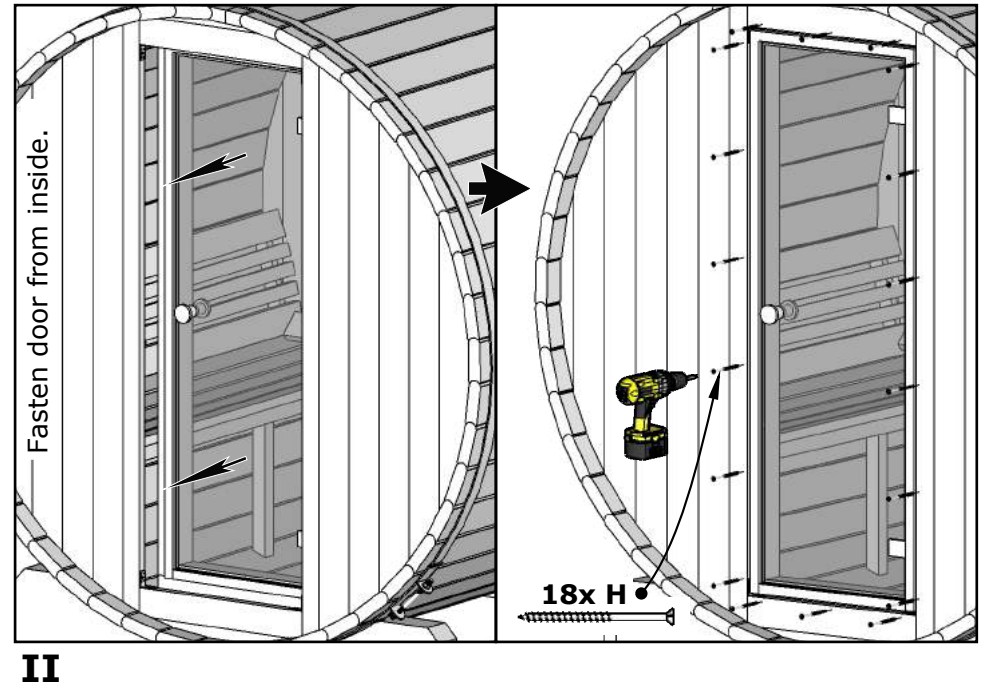
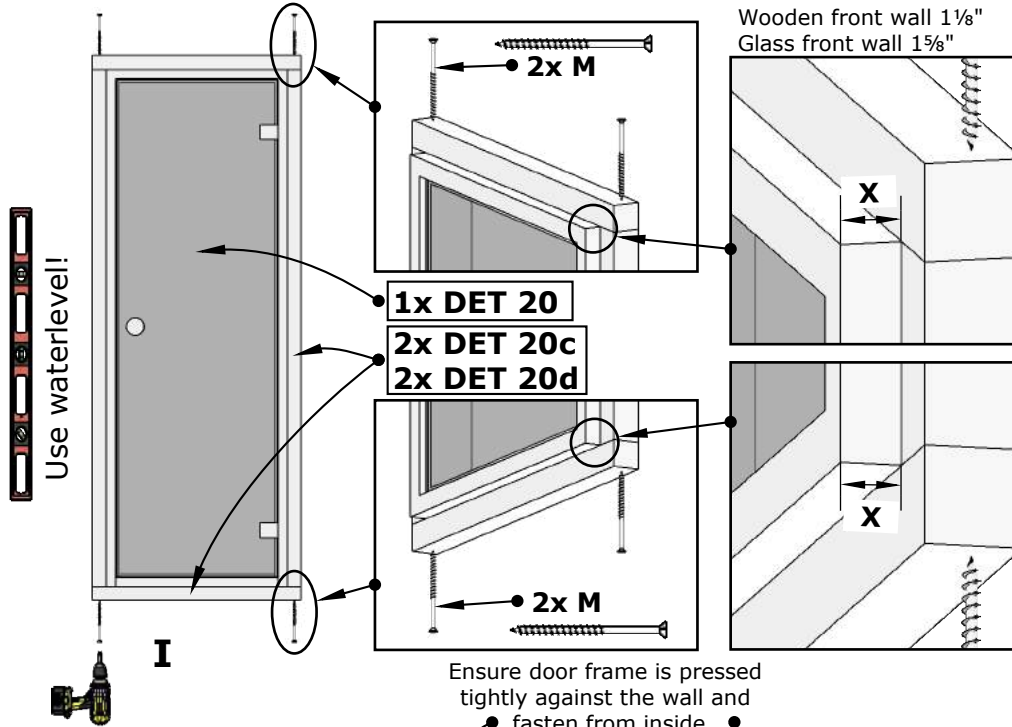
# E7 Barrel Sauna 71D" x 81H"





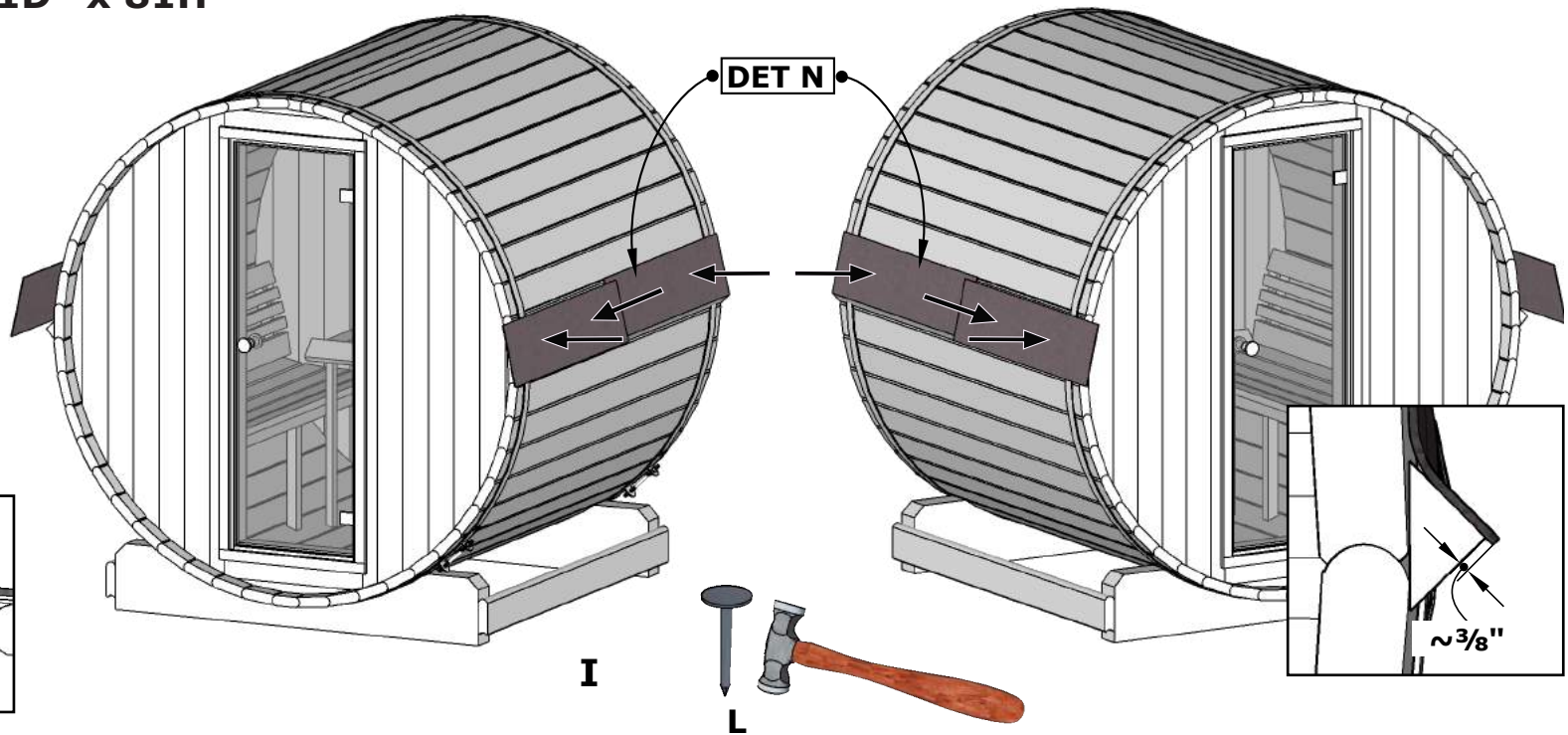
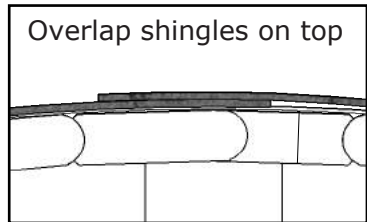
# E7 Barrel Sauna 71D" x 81H"

X= Front wall thickness  
 Wooden front wall 1 1/8"  
 Glass front wall 1 5/8"

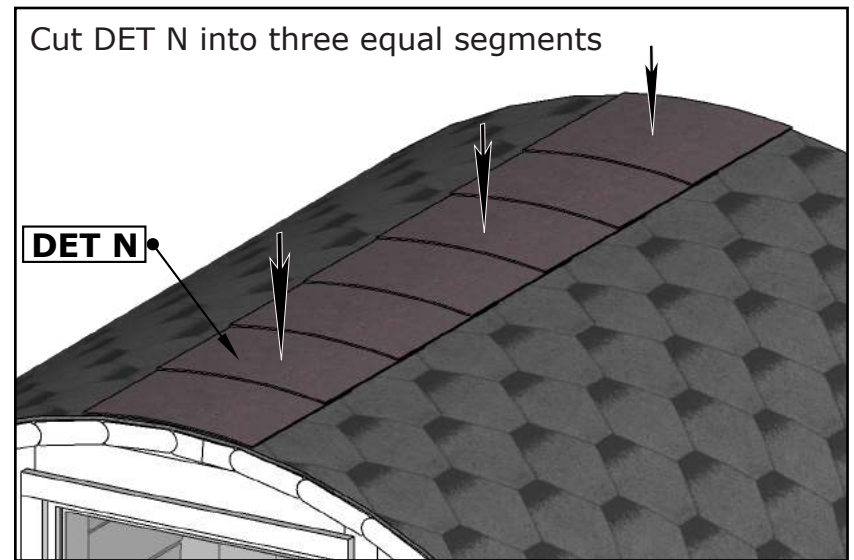
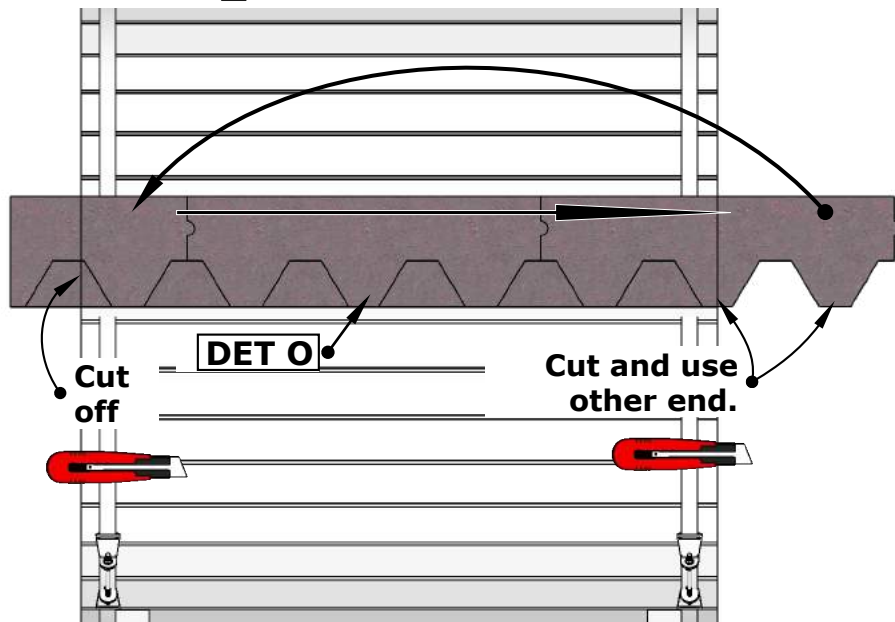


# E7 Barrel Sauna 71D" x 81H"

See the installation manual inside the shingles package



Check also roof shingles installation manual inside package.



# E7 Barrel Sauna 71D" x 81H"

