



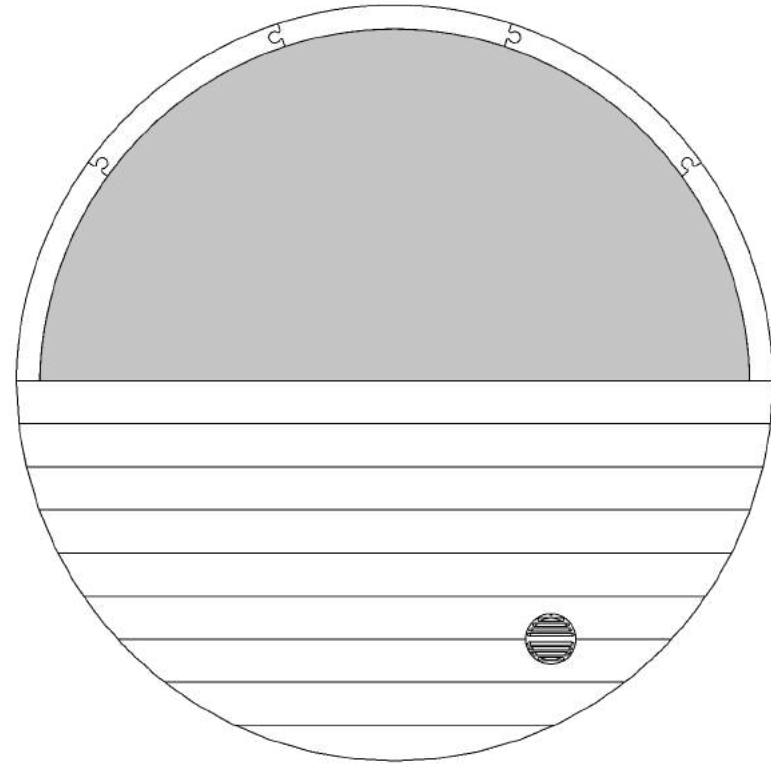
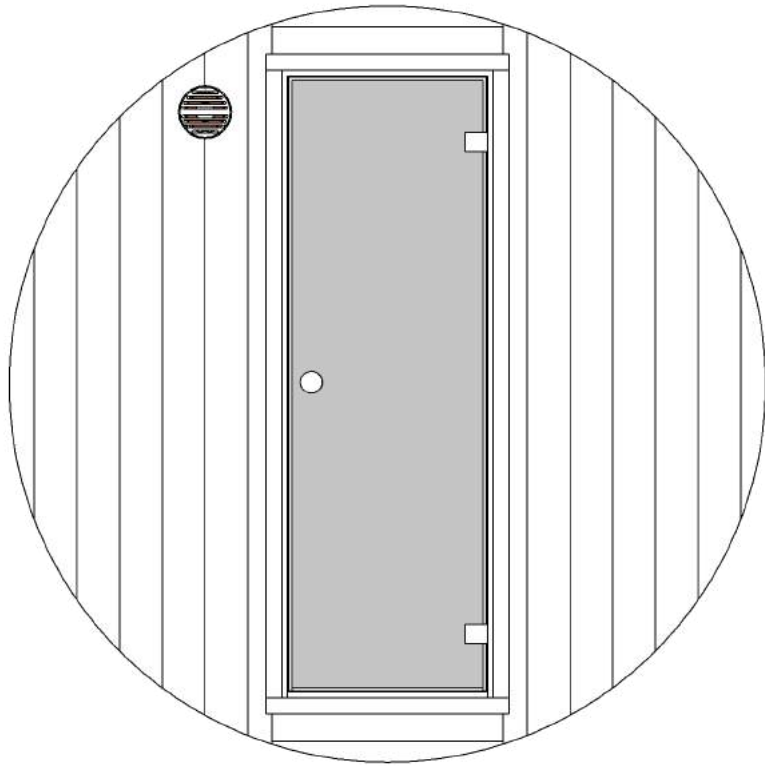
Ergo-Series E8W Barrel Sauna
Half Glass Window 87D" x 81H"



Note: Please read manual before construction

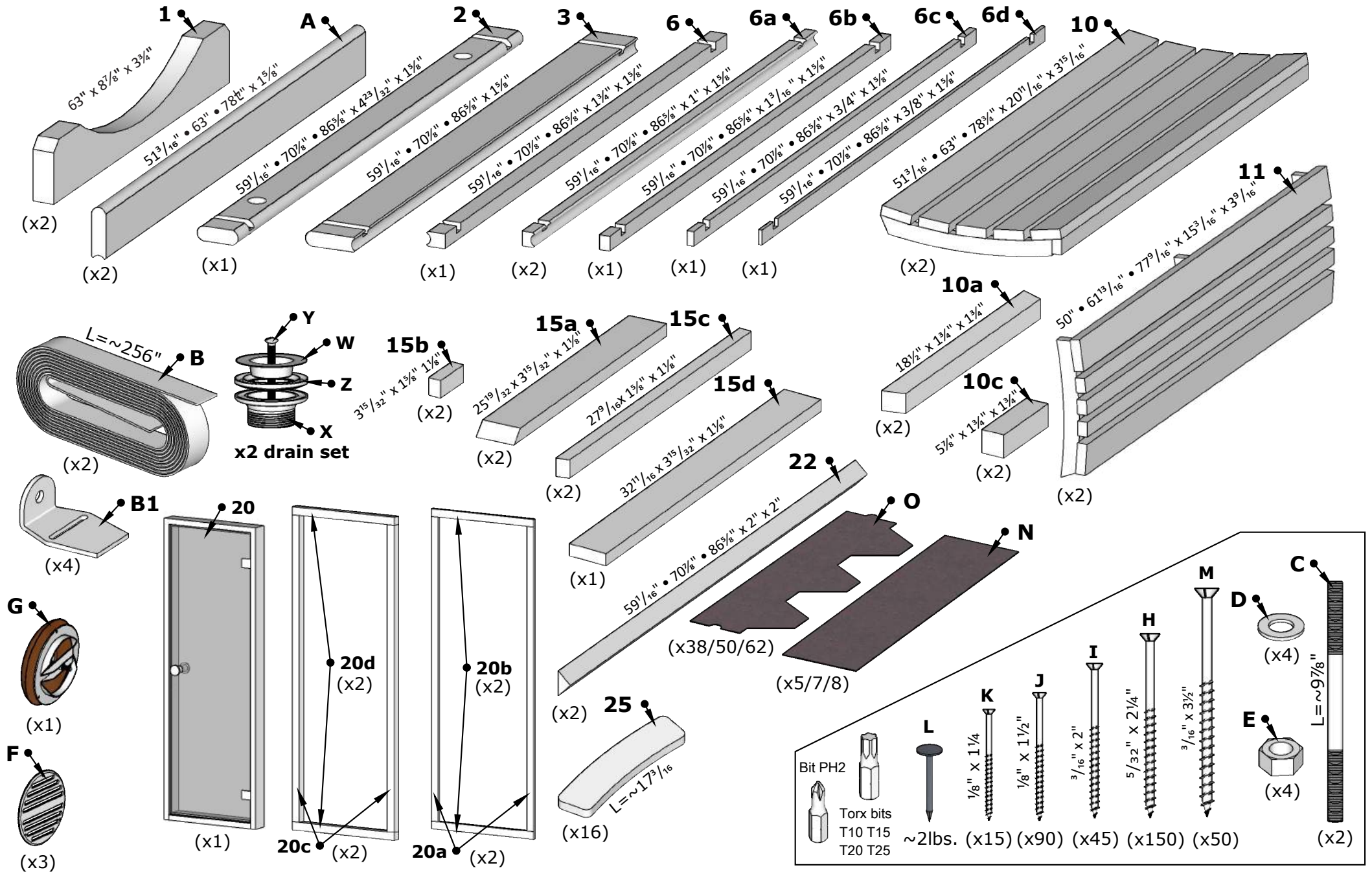
Rev 4/2023

Front & Back Walls

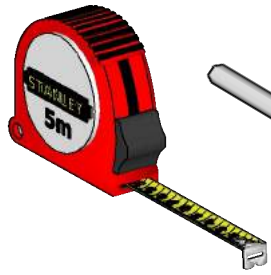


E8W Barrel Sauna 87D" x 81H"

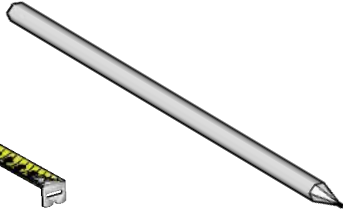
Details list.



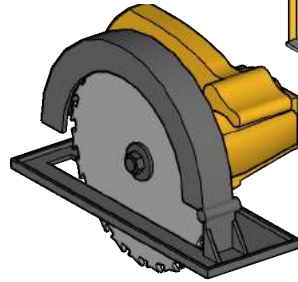
Tools needed



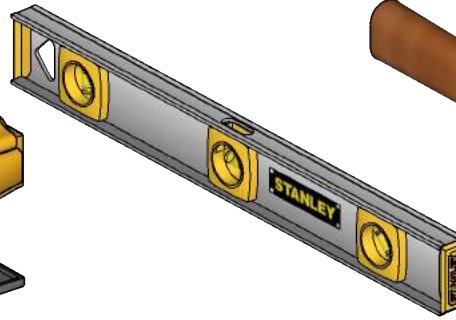
Measuring tape



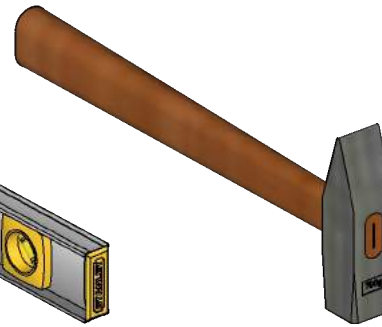
Marker pen



Circular saw



Water level



Hammer



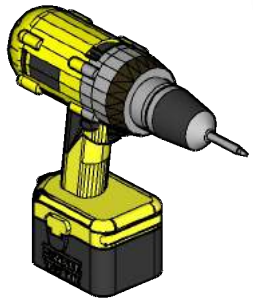
Extra hands



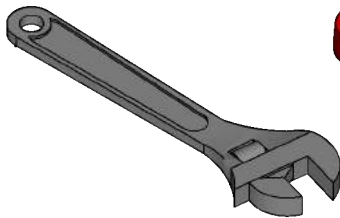
Ratchet strap



Silicone gun
(Only glass-wall models)



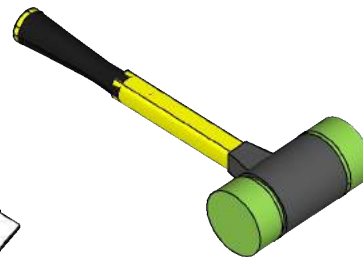
Drill



Crescent wrench

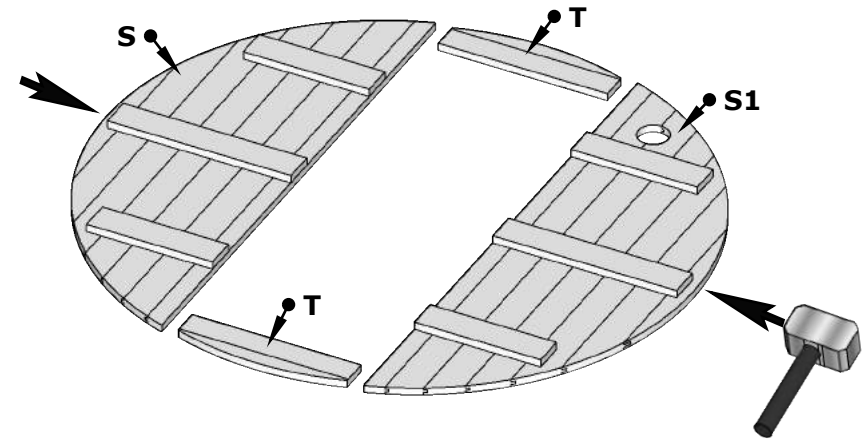
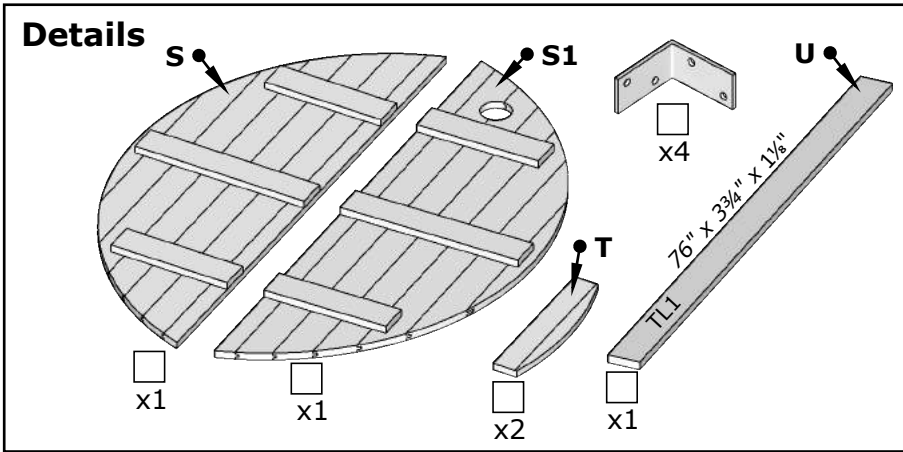


Utility knife

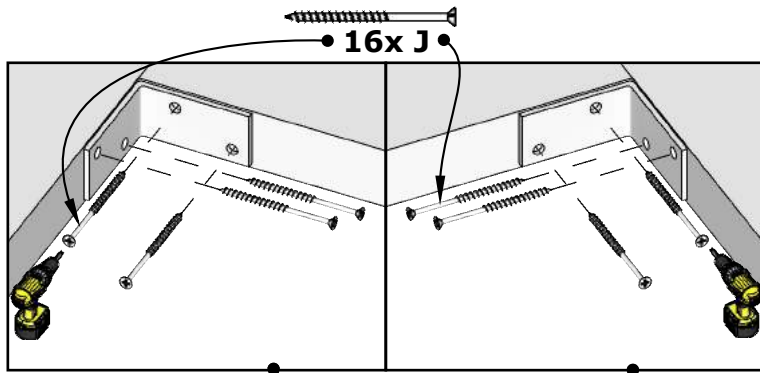


Rubber mallet

Wooden front wall installation

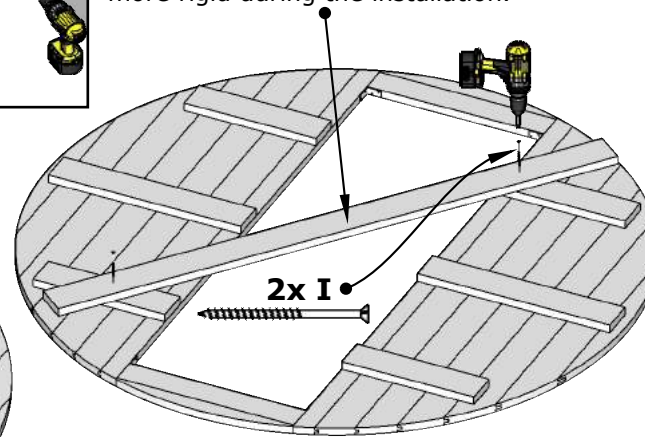


I

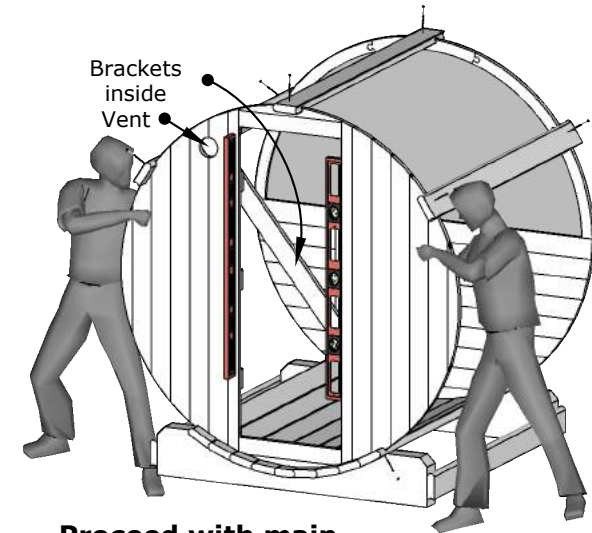


II

DET U Fix it diagonally to make wall more rigid during the installation.

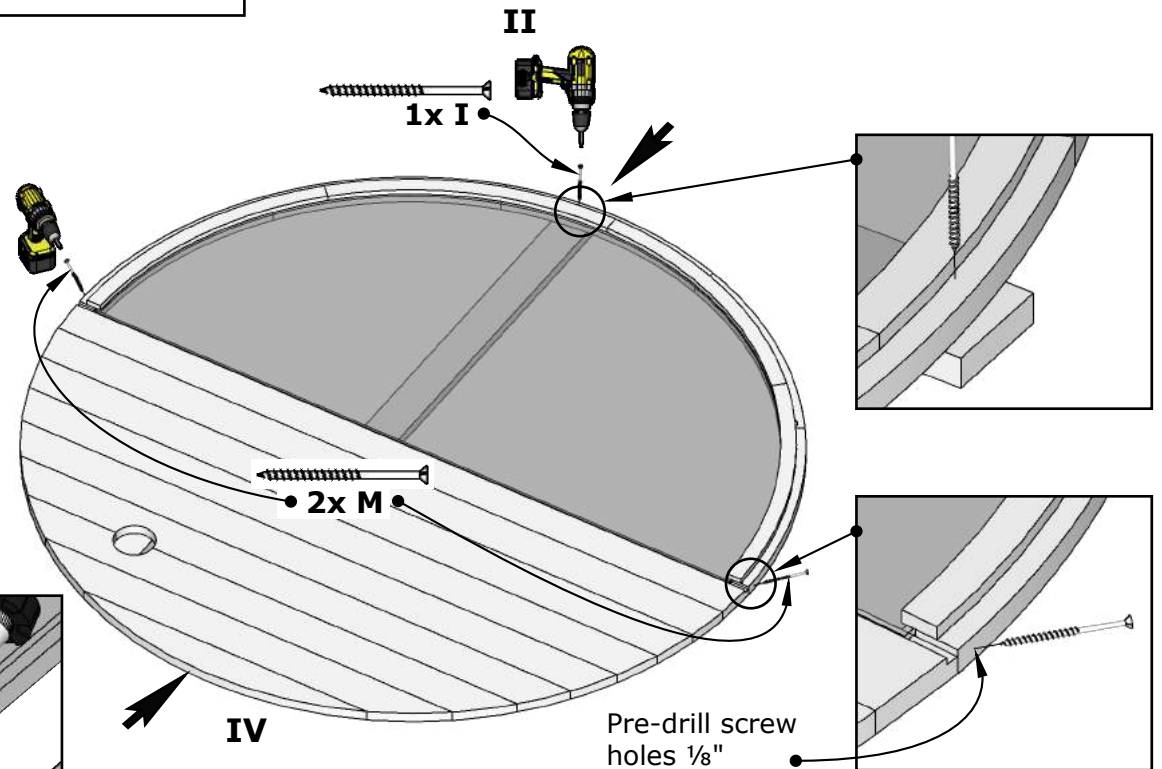
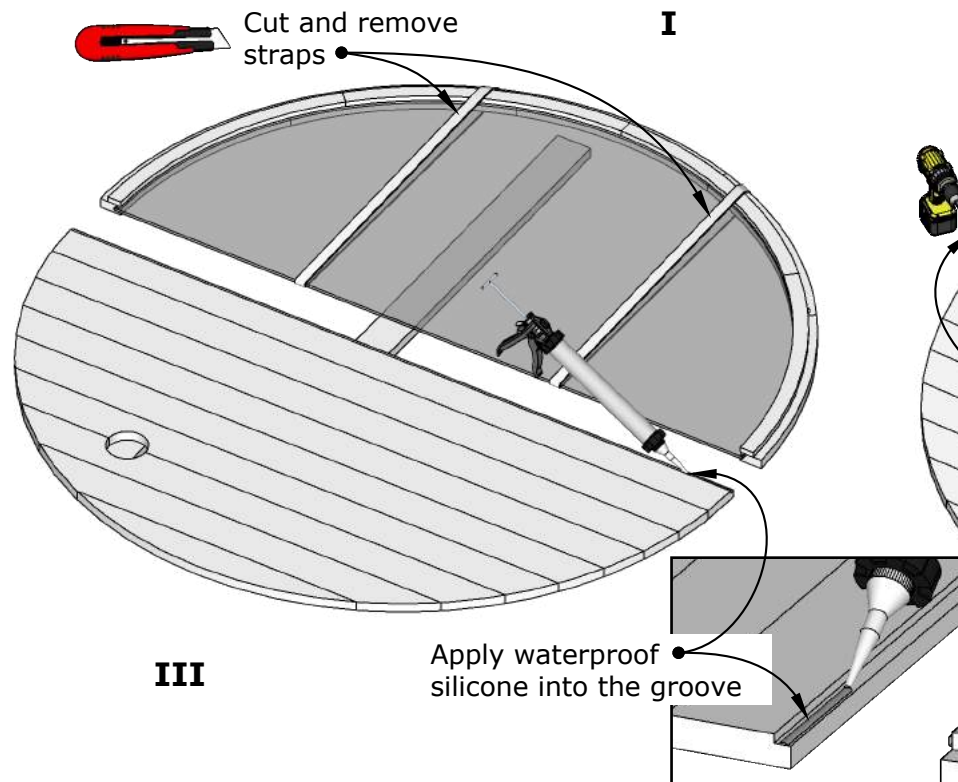
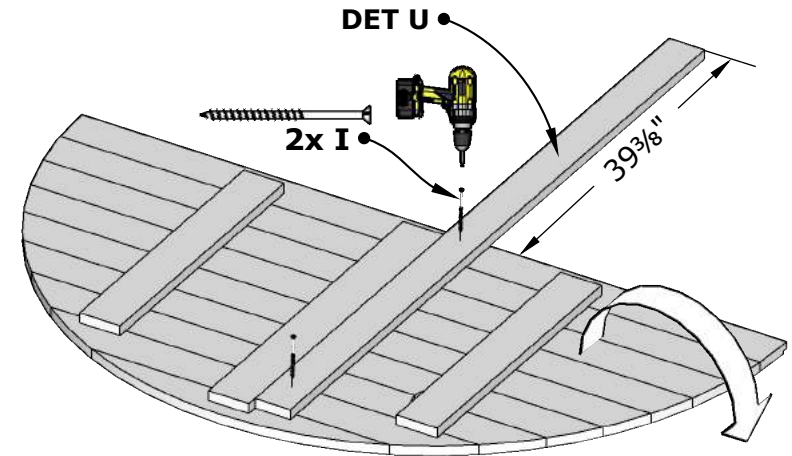
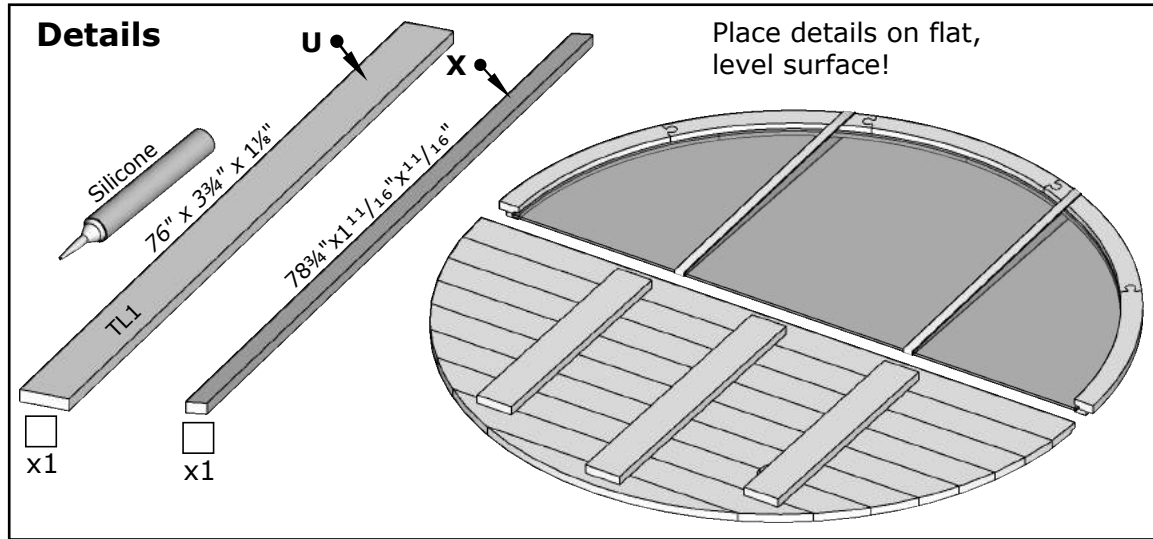


III



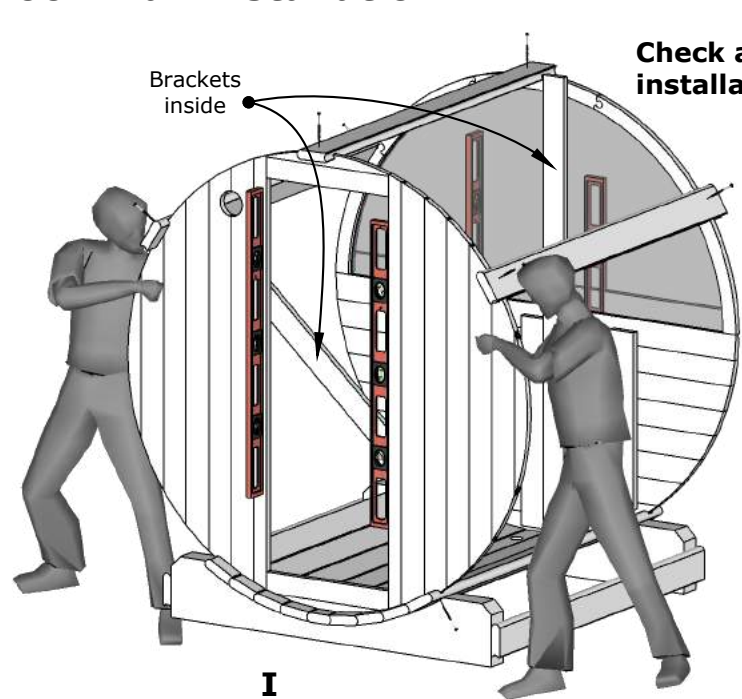
Proceed with main installation manual!

Half-moon wall installation

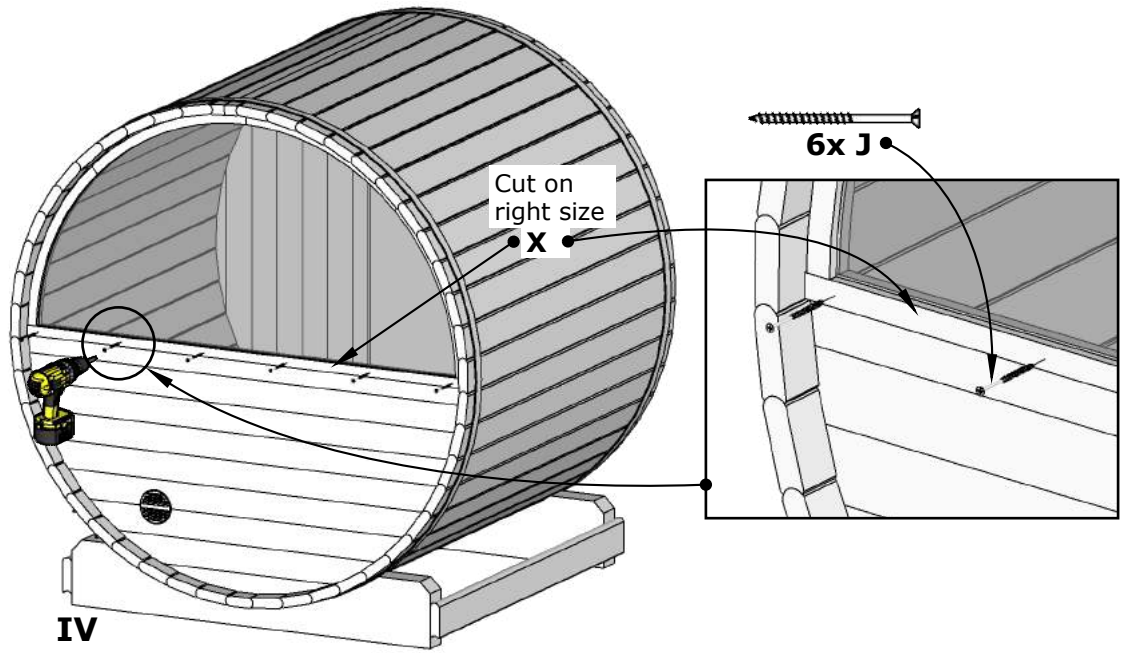
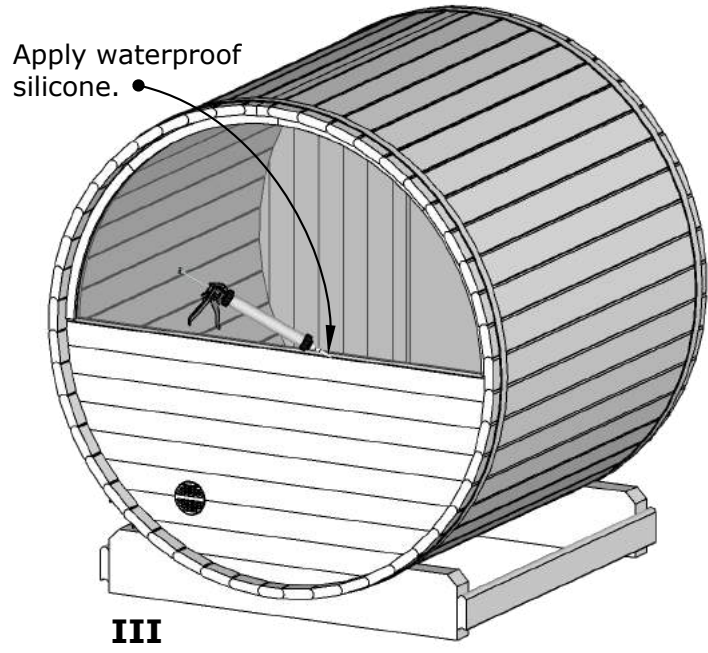
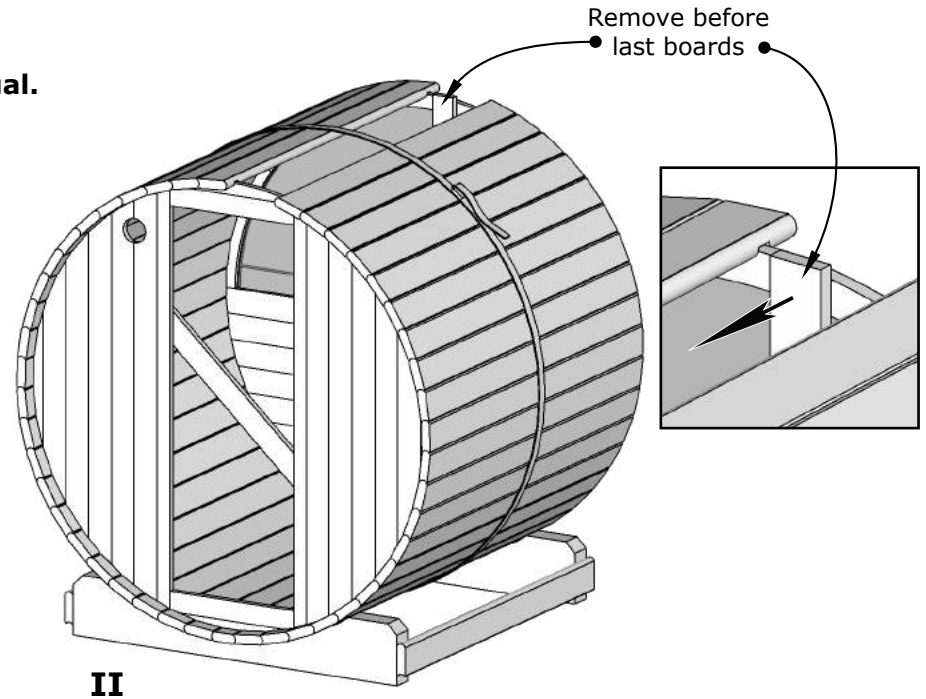


WARNING: Do not let screws touch glass!

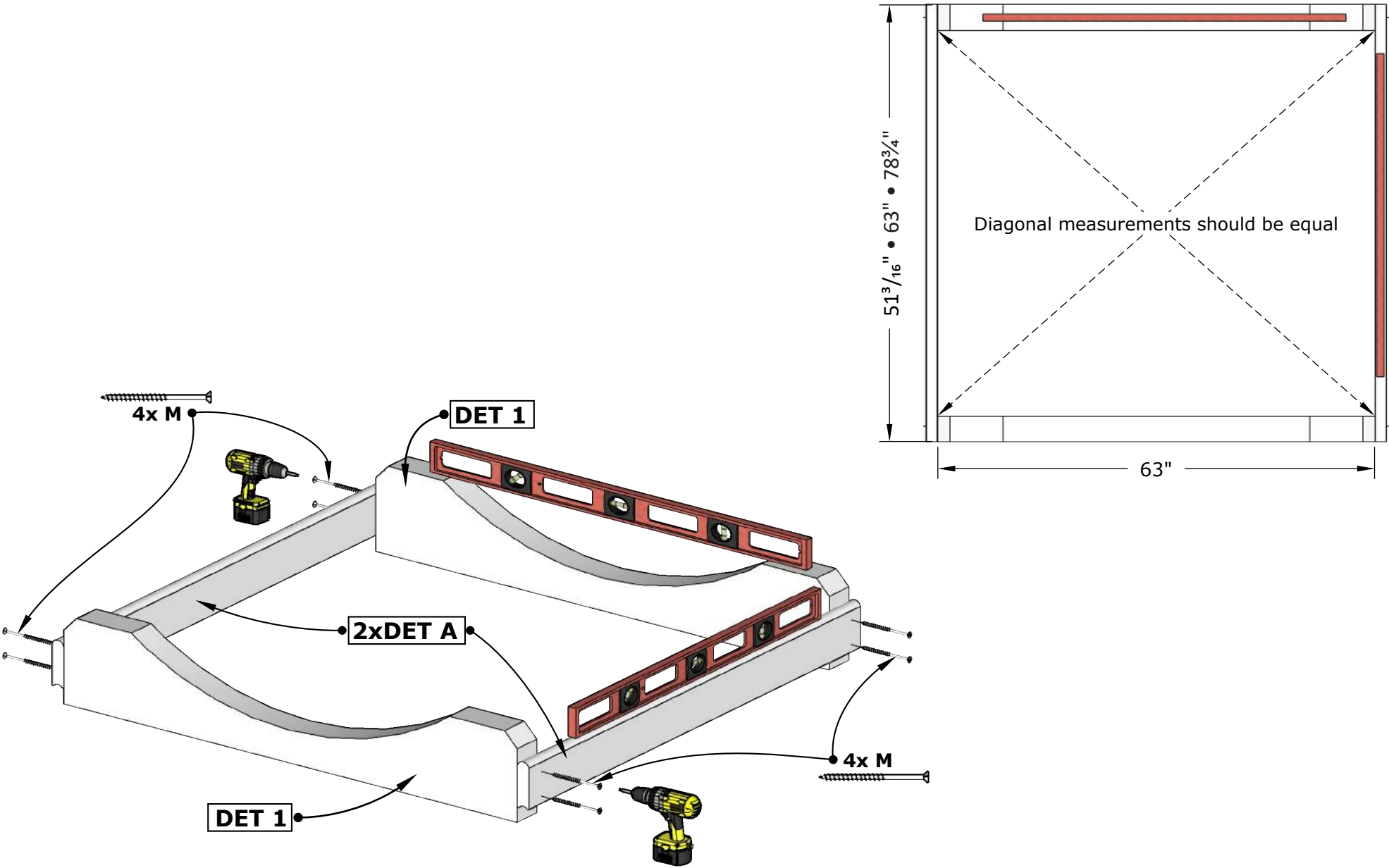
Half-moon wall installation



Check also main installation manual.

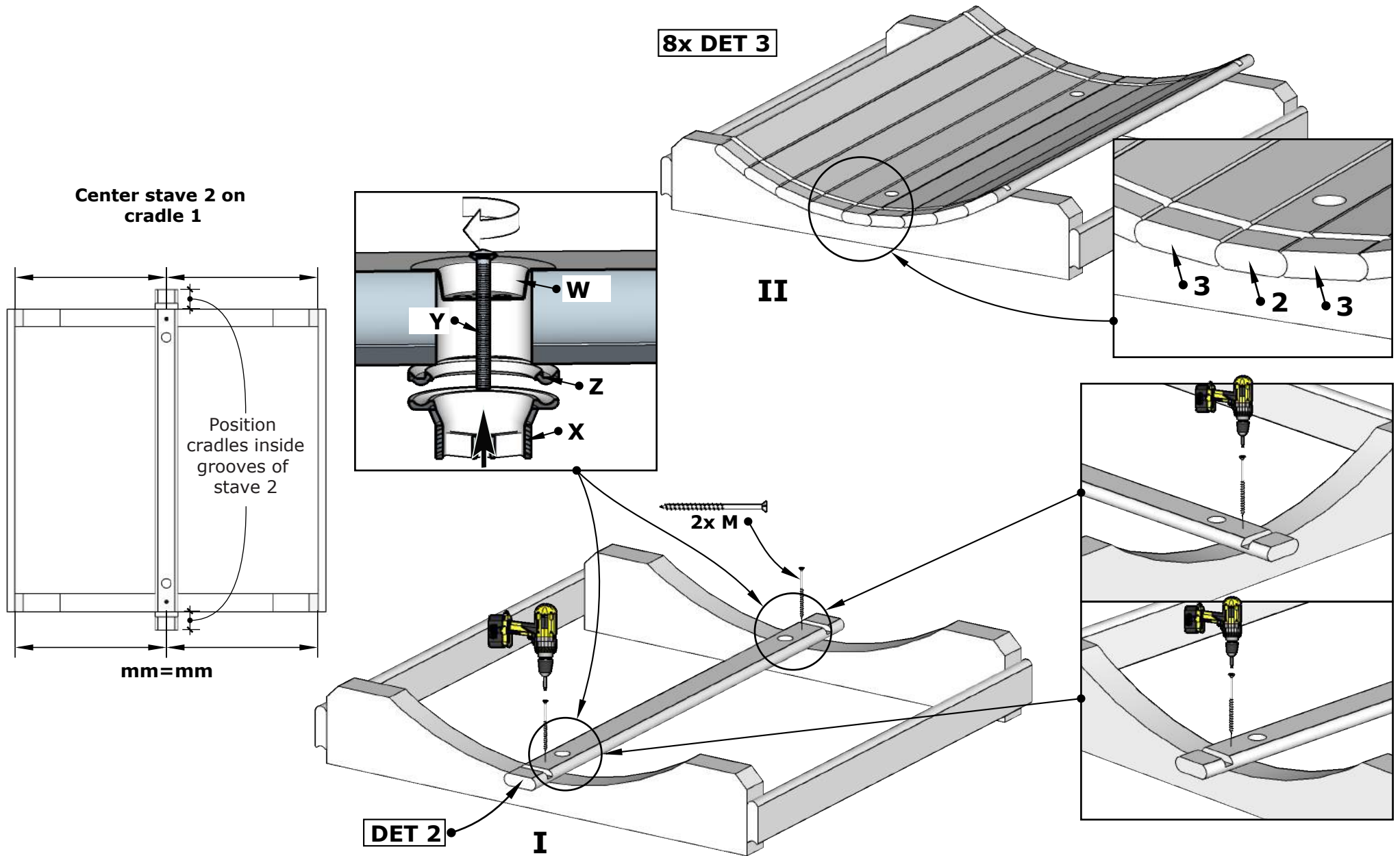


E8W Barrel Sauna 87D" x 81H"

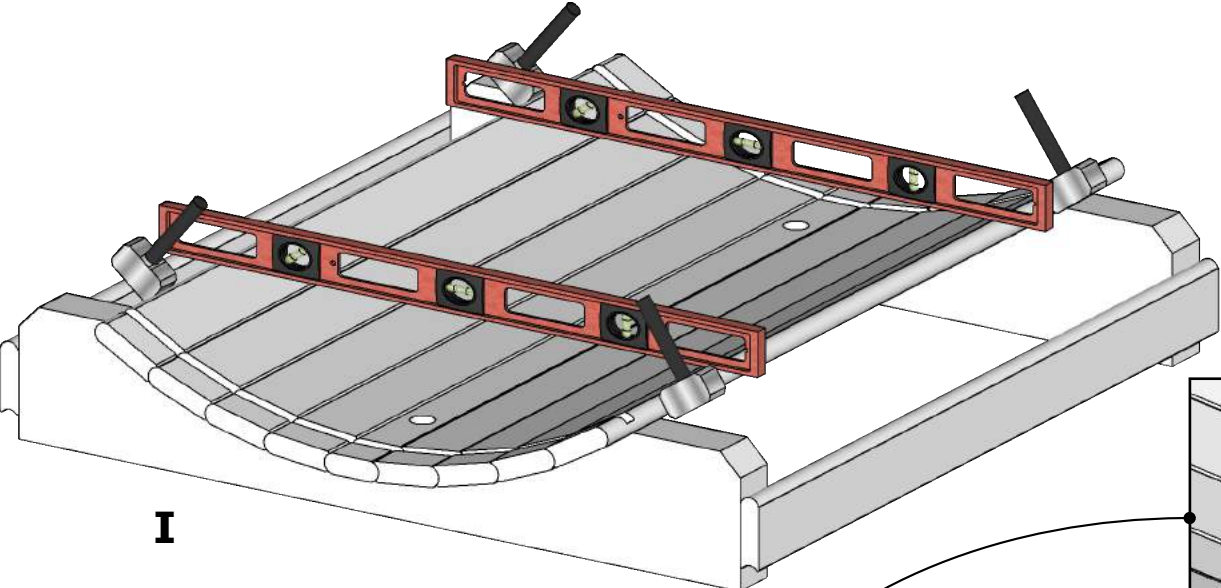


1.

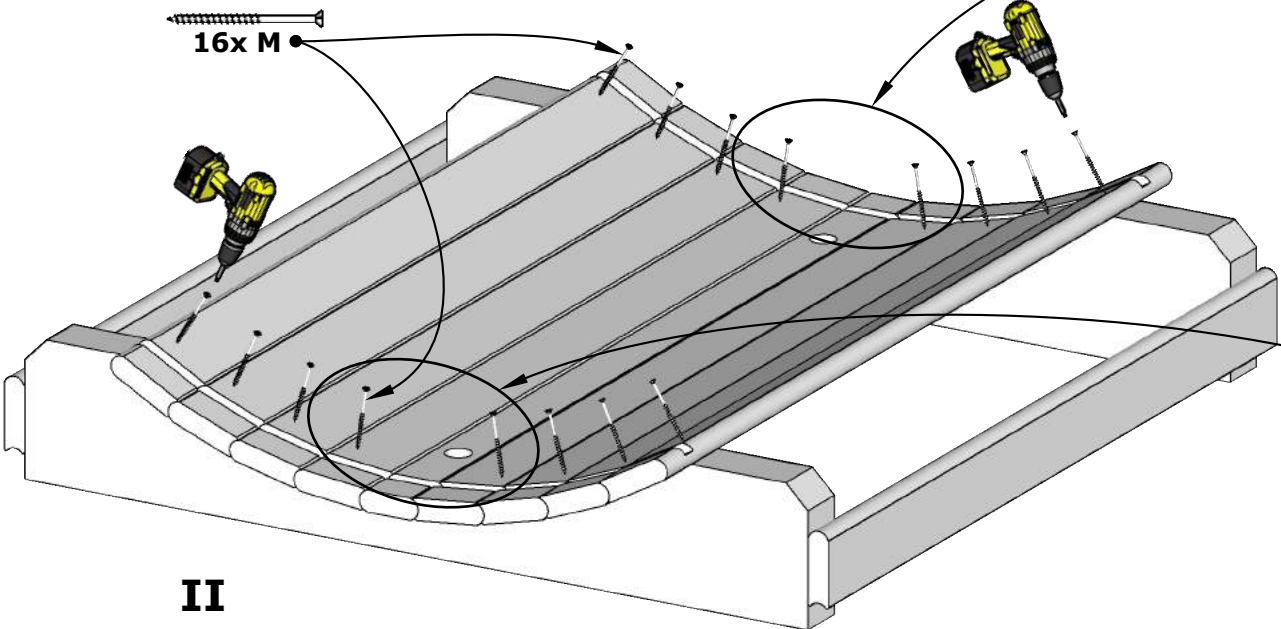
E8W Barrel Sauna 87D" x 81H"



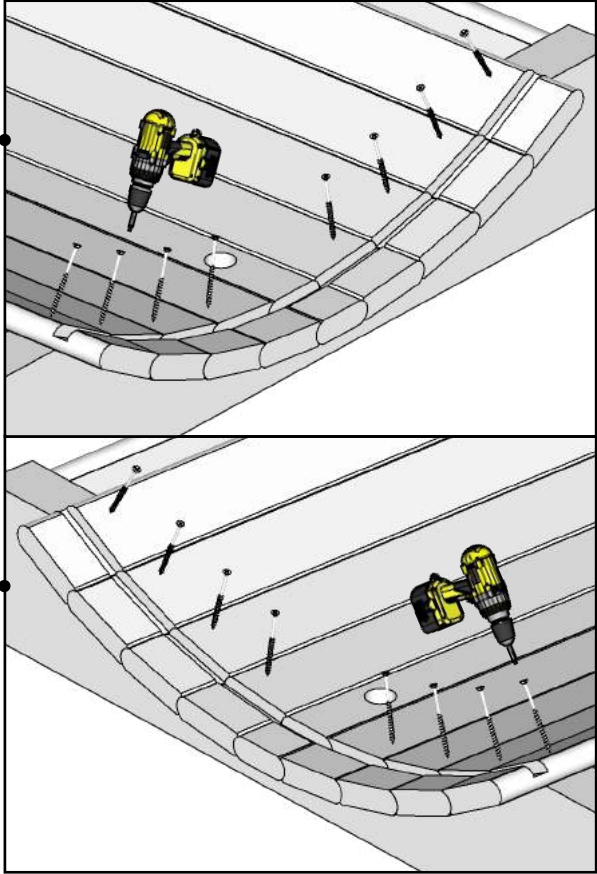
E8W Barrel Sauna 87D" x 81H"



I

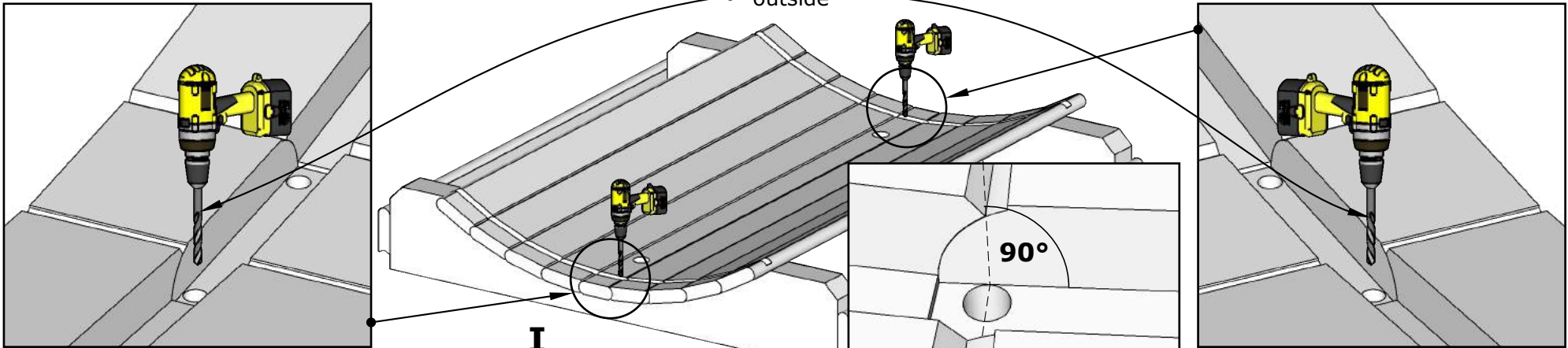


II

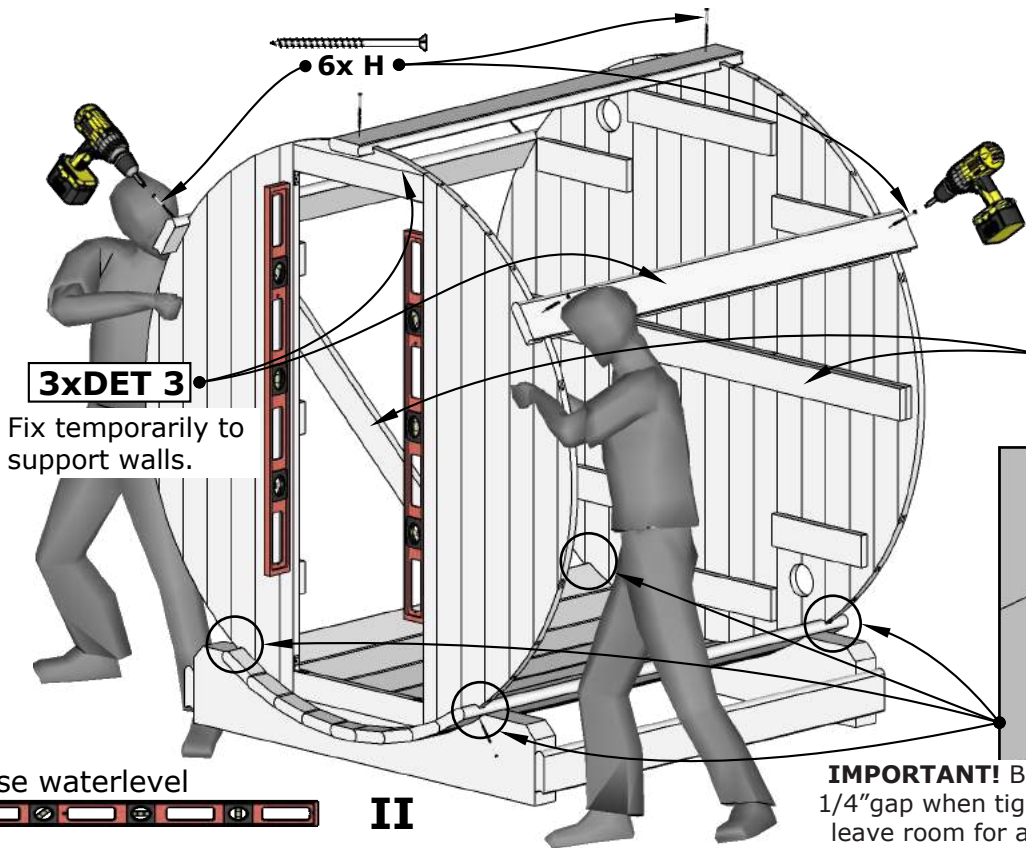


E8W Barrel Sauna 87D" x 81H"

Drill 4 holes $\varnothing 1/2"$
through DET 2
outside



I



**Check walls installation
manual on extra pages!**

**Sauna wall configuration
depends on Your model!**

Brackets inside

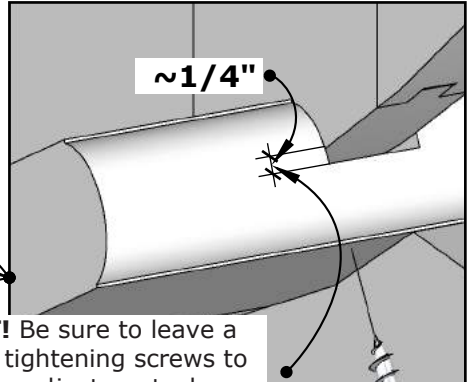
3xDET 3

Fix temporarily to support walls.

6x H

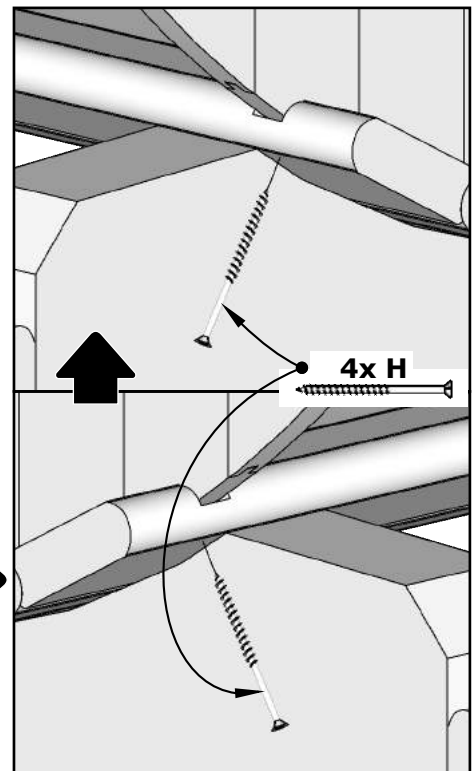
II

Use waterlevel



$\sim 1/4"$

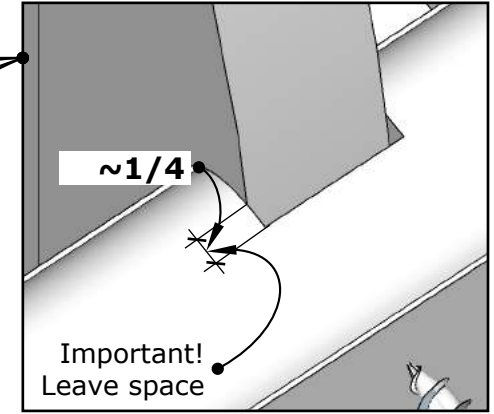
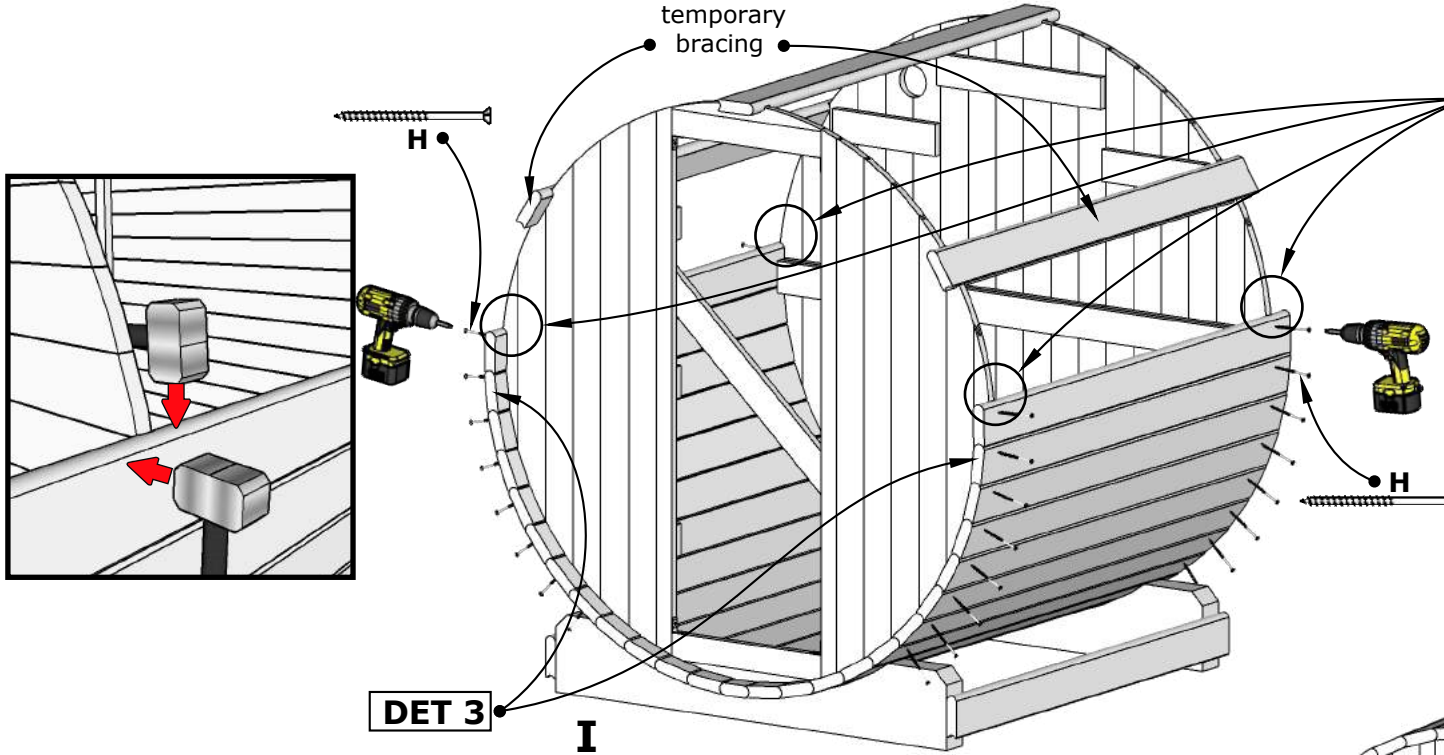
IMPORTANT! Be sure to leave a 1/4" gap when tightening screws to leave room for adjustment when the outer bands (B) are installed.



4x H

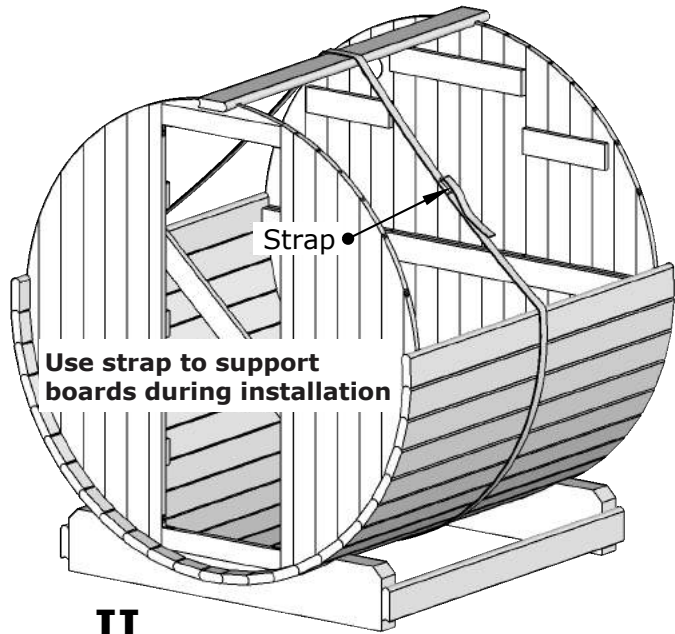
E8W Barrel Sauna 87D" x 81H"

Remove temporary bracing



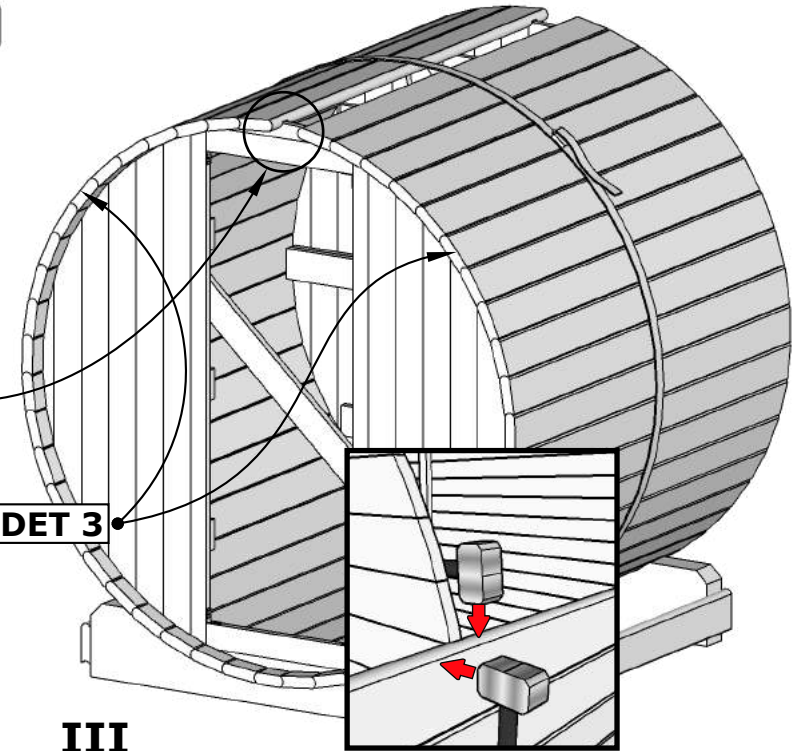
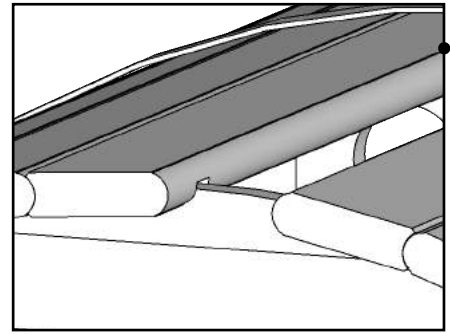
IMPORTANT! Be sure to leave a 1/4" gap when tightening screws to leave room for adjustment when the outer bands (B) are installed.

DET 3
I



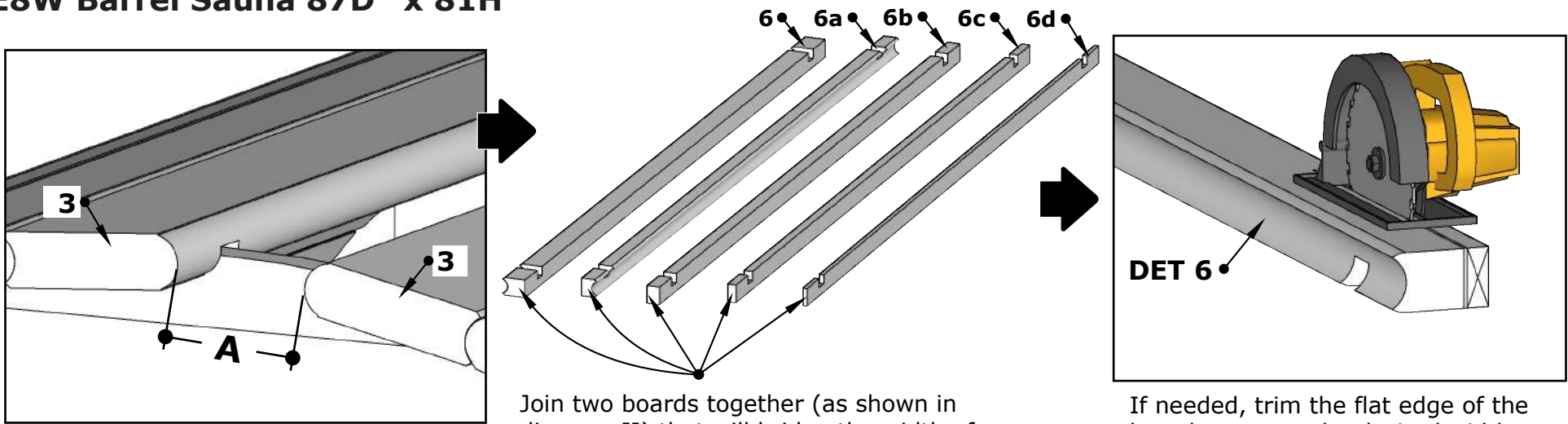
II

See the next page.



III

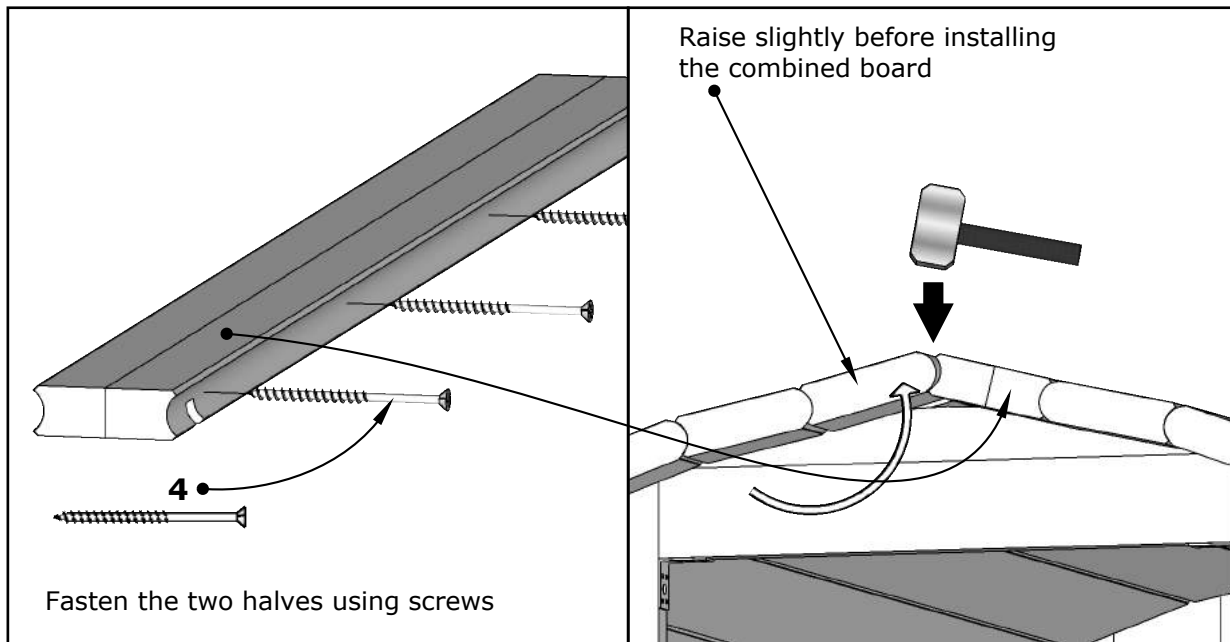
E8W Barrel Sauna 87D" x 81H"



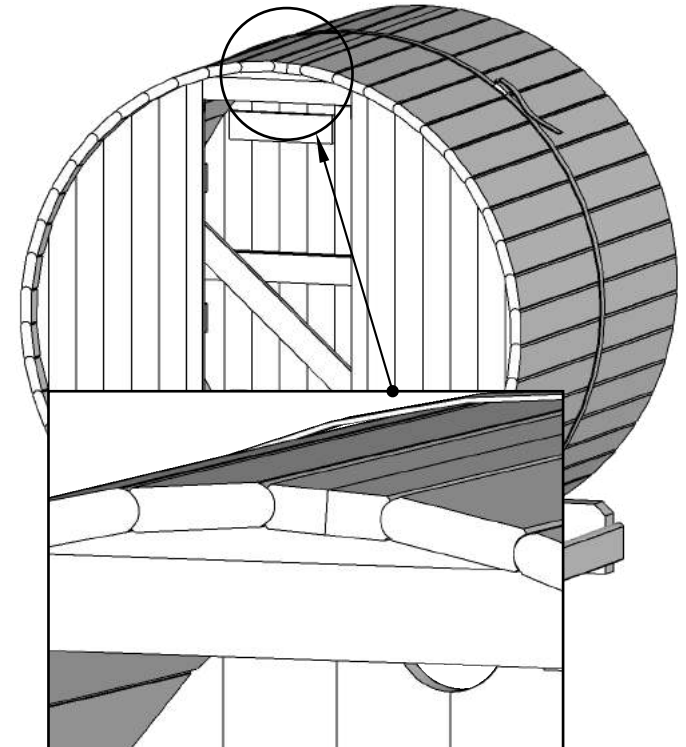
I

Join two boards together (as shown in diagram II) that will bridge the width of the "A" gap. It is recommended that the combined boards are approximately 1/4" wider than the gap.

If needed, trim the flat edge of the board to create the desired width.

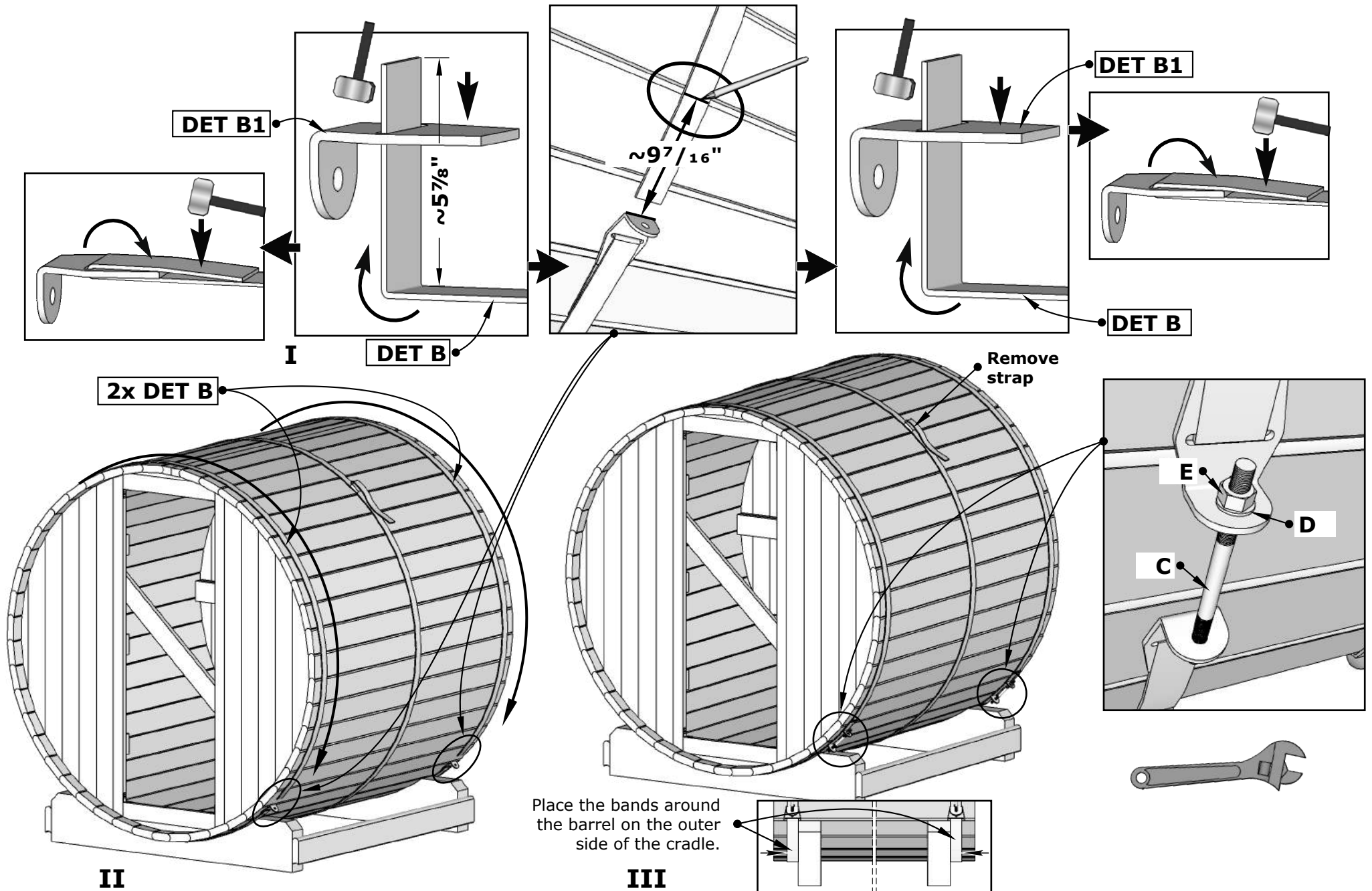


II



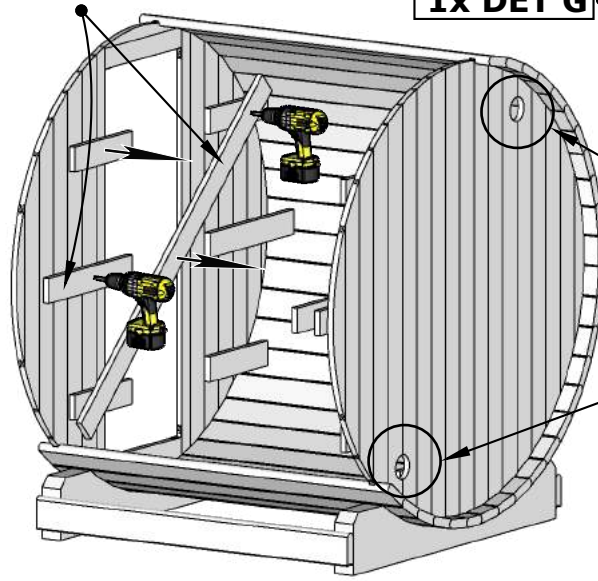
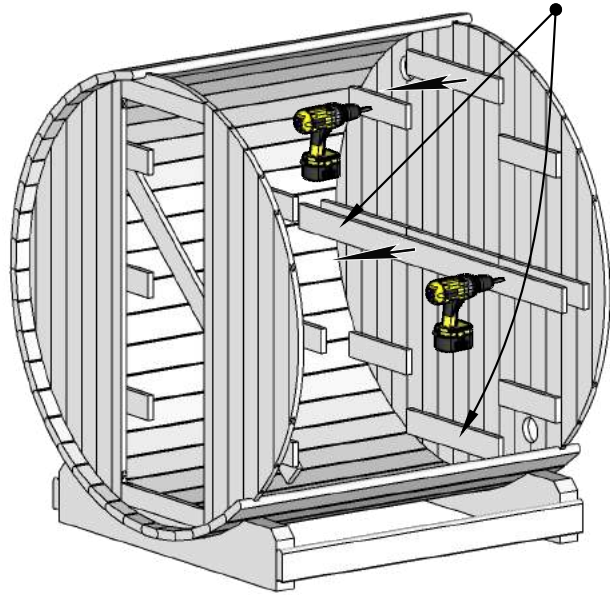
III

E8W Barrel Sauna 87D" x 81H"

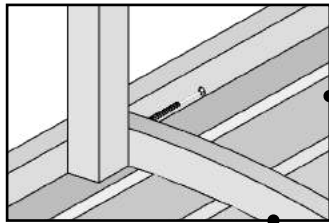
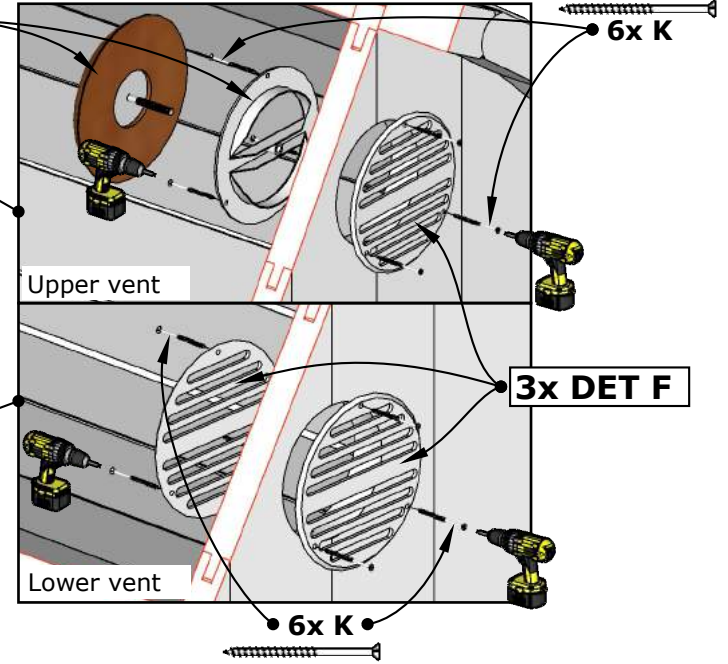


E8W Barrel Sauna 87D" x 81H"

Remove all temporary braces



1x DET G

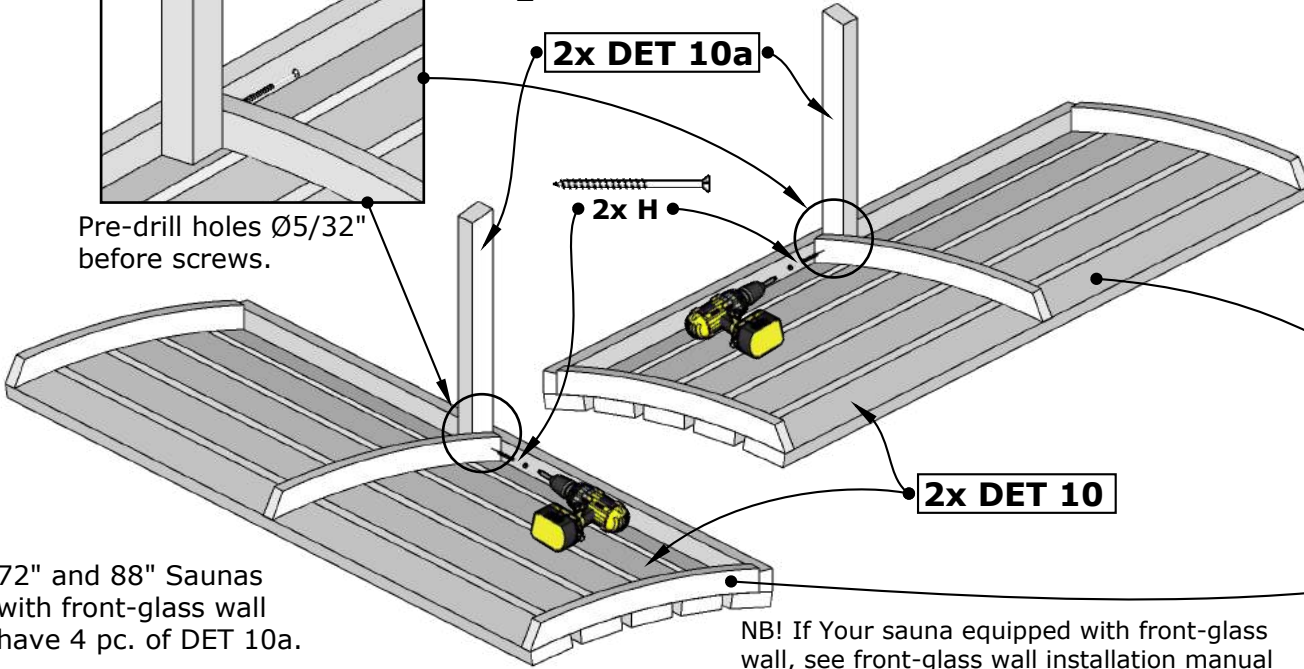


Pre-drill holes Ø5/32" before screws.

I

2x DET 10a

2x H



2x DET 10

72" and 88" Saunas with front-glass wall have 4 pc. of DET 10a.

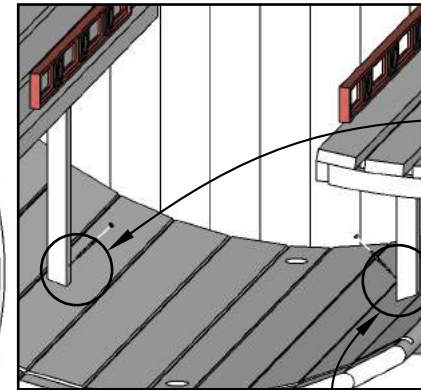
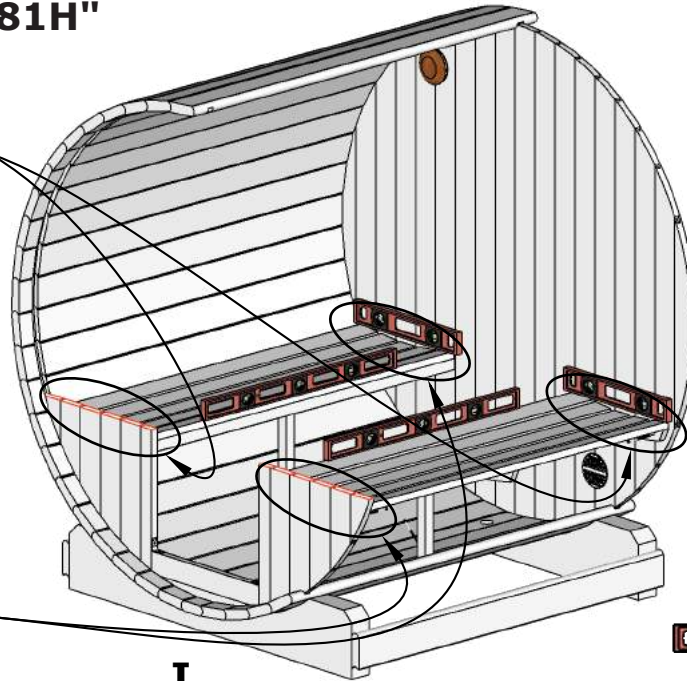
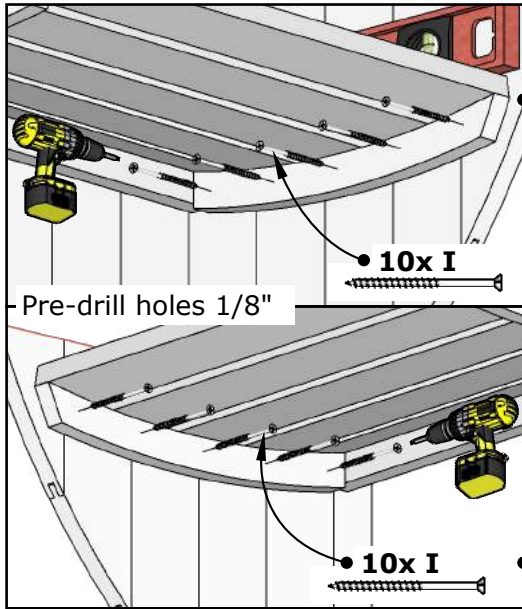
II

NB! If Your sauna equipped with front-glass wall, see front-glass wall installation manual for proper benches installation.

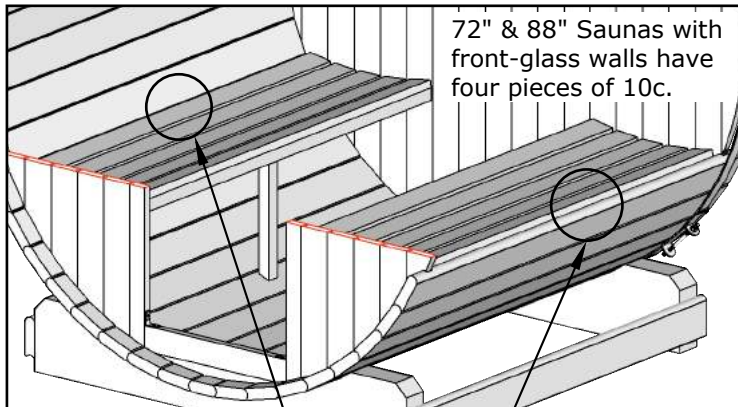
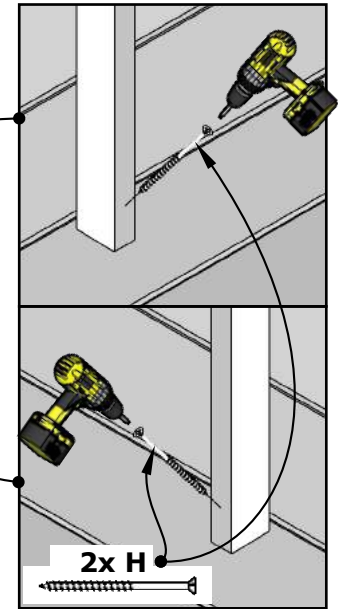


III

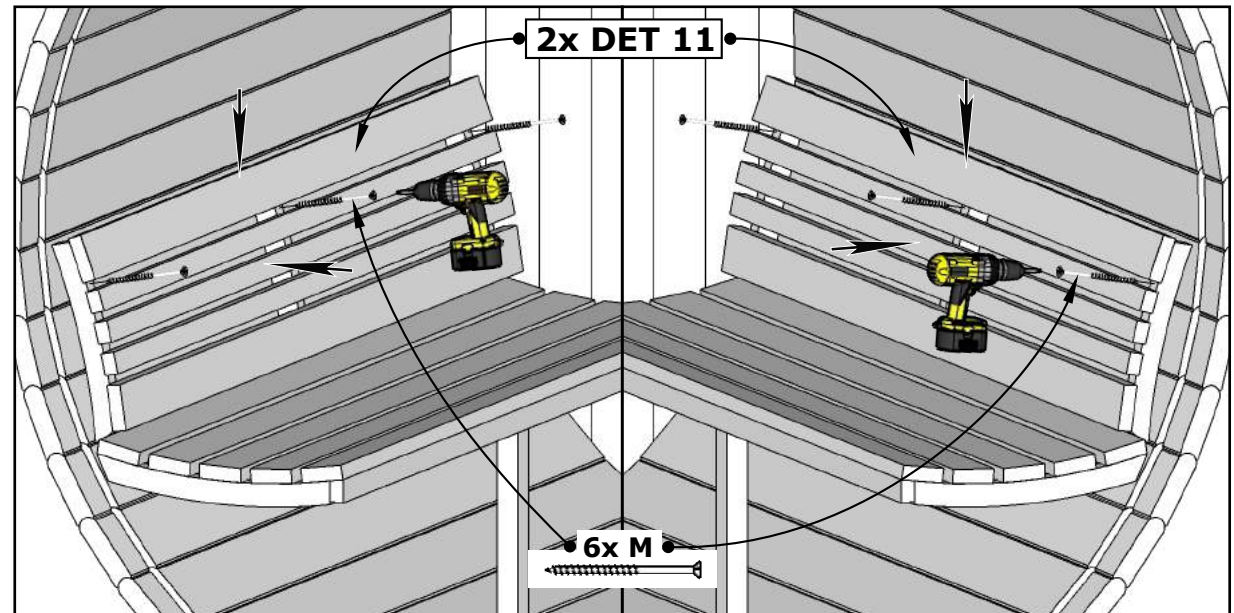
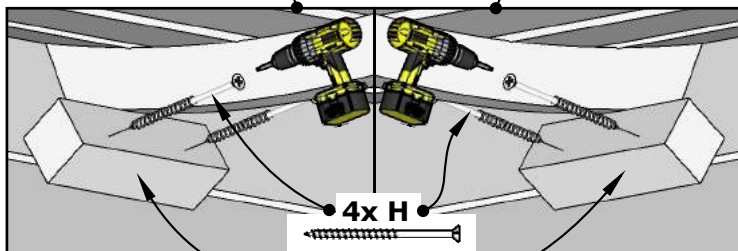
E8W Barrel Sauna 87D" x 81H"



Use level for installation of benches

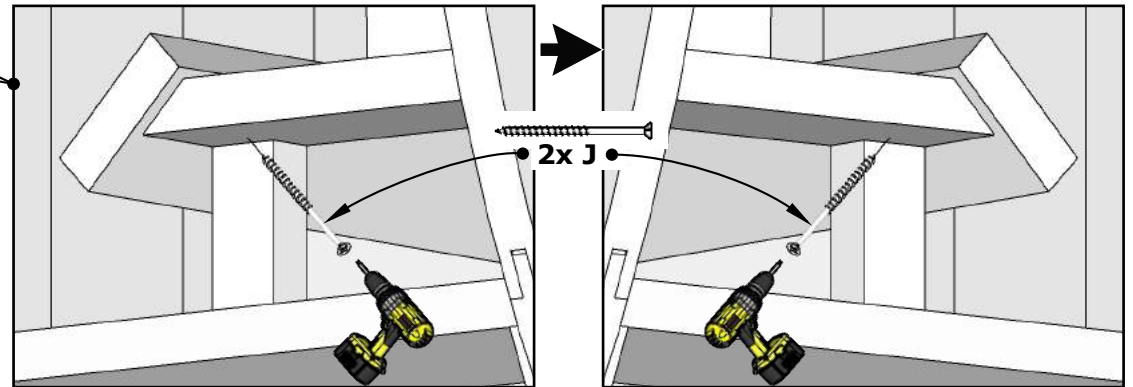
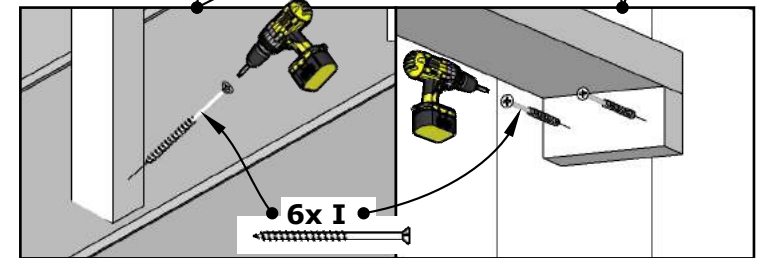
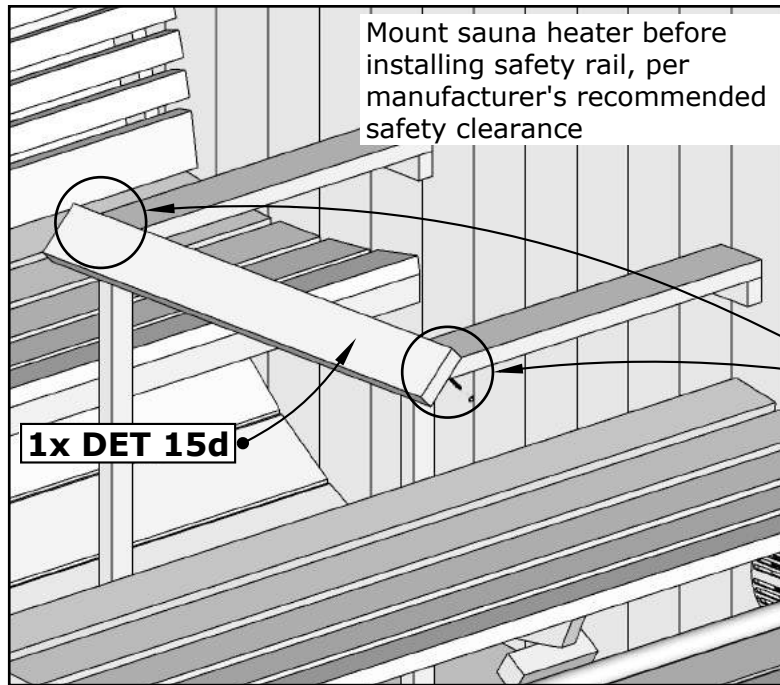
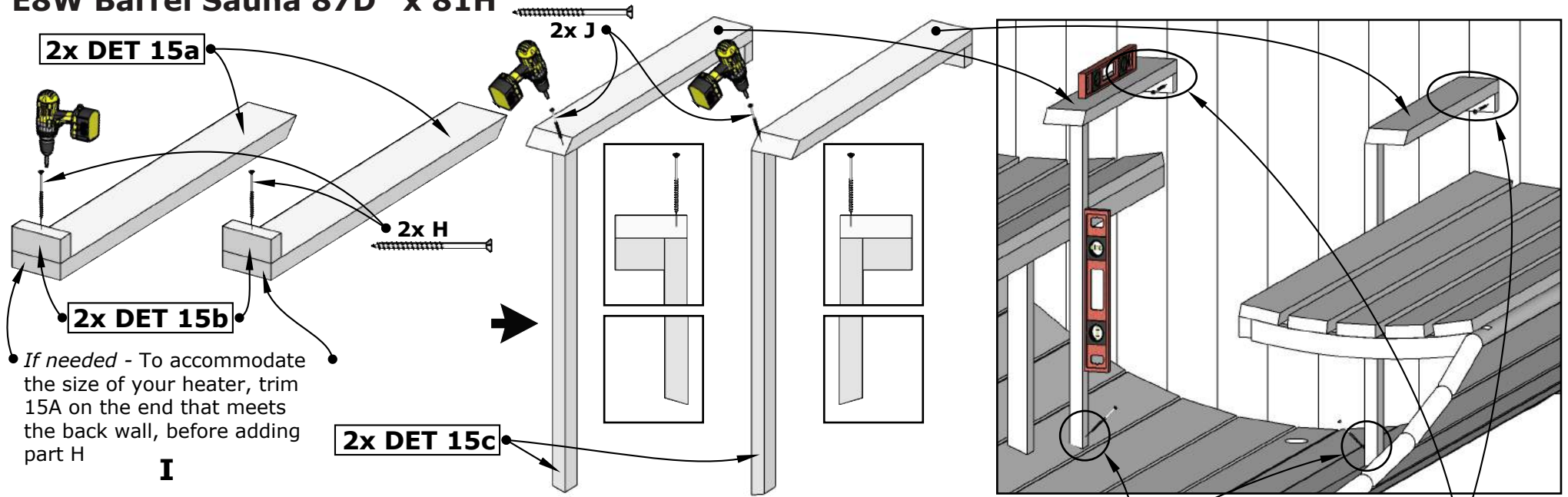


Under the benches



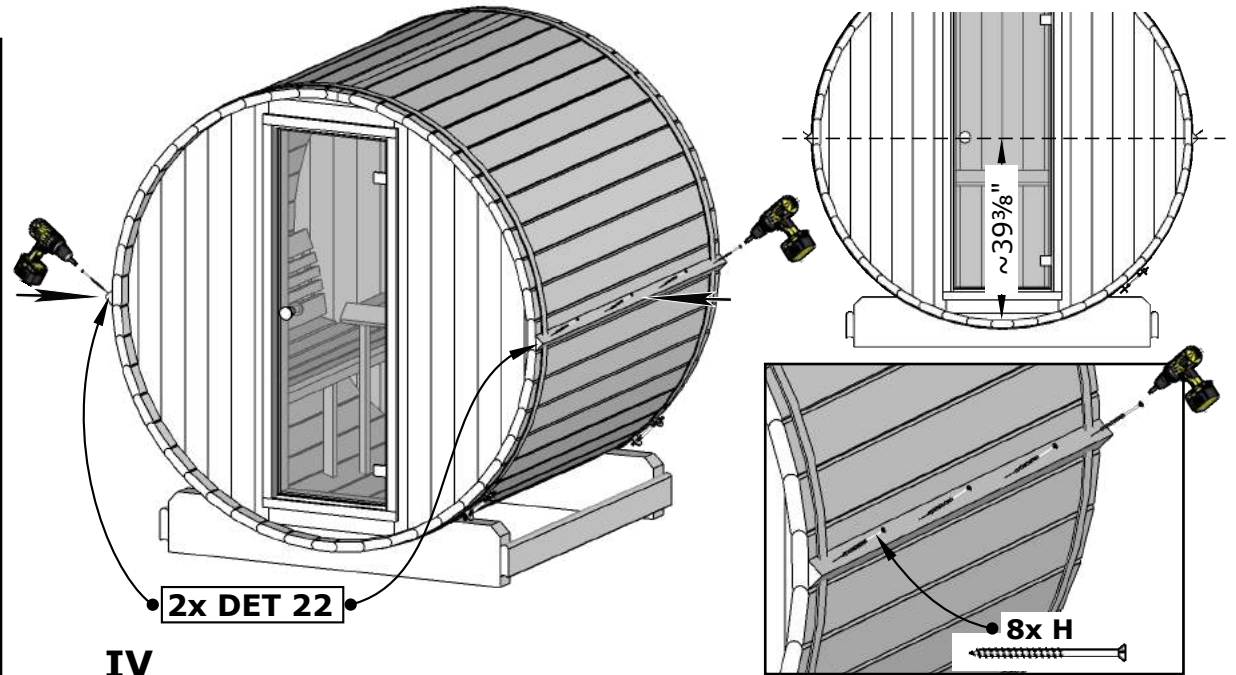
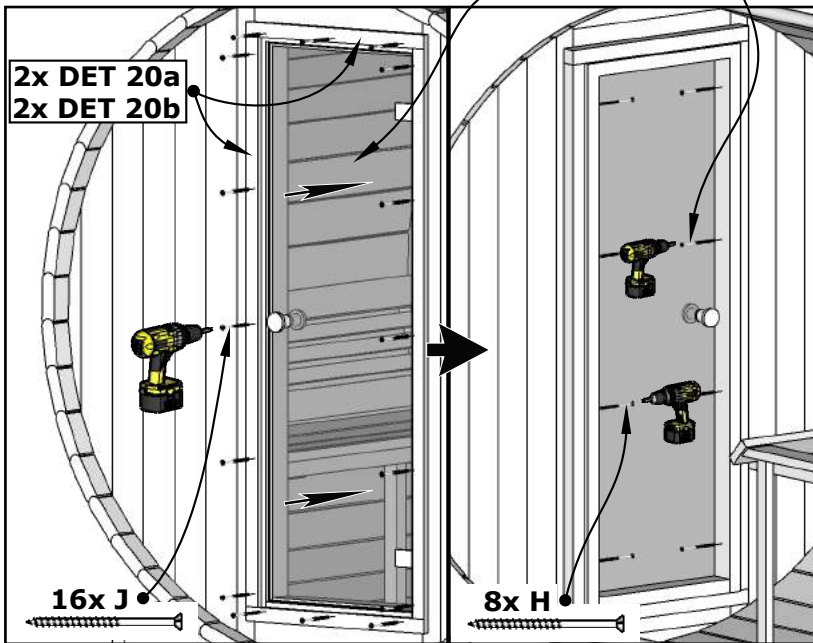
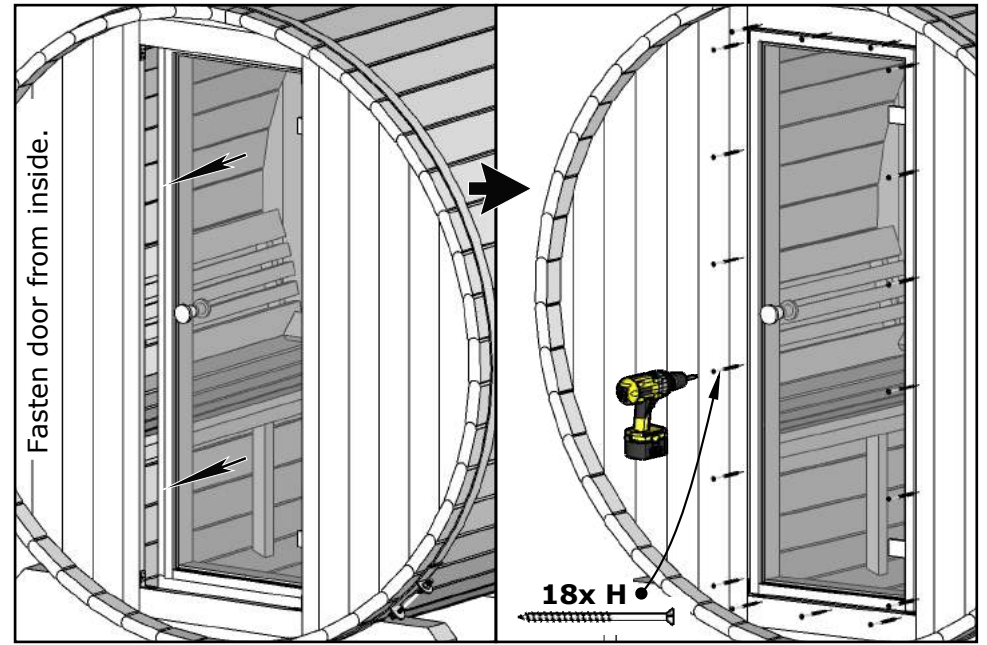
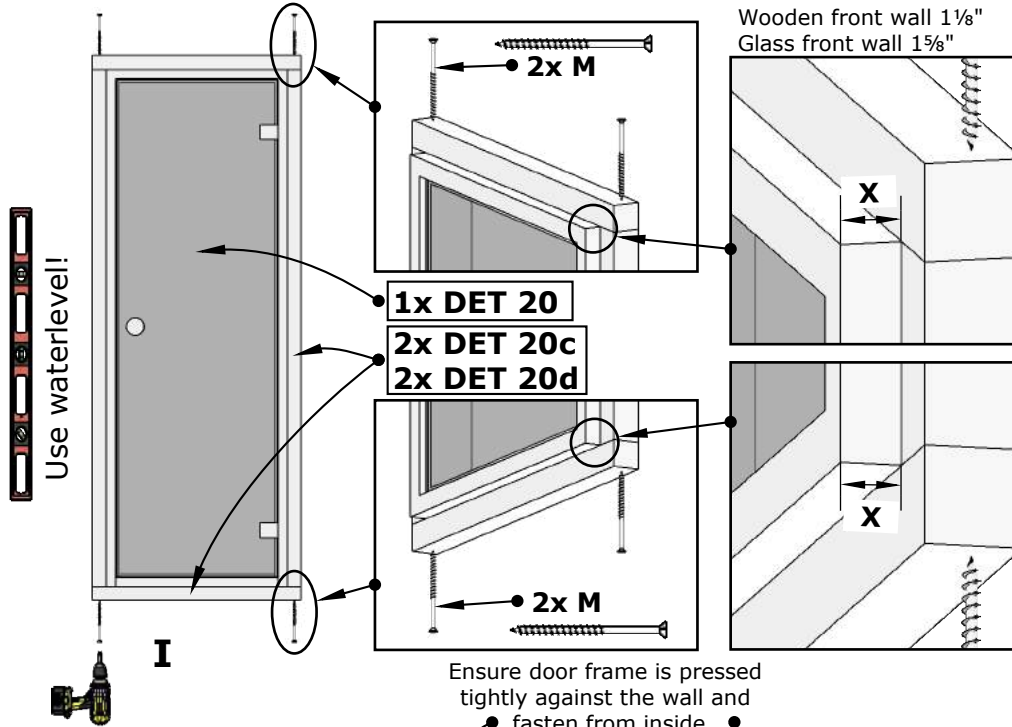
III

E8W Barrel Sauna 87D" x 81H"



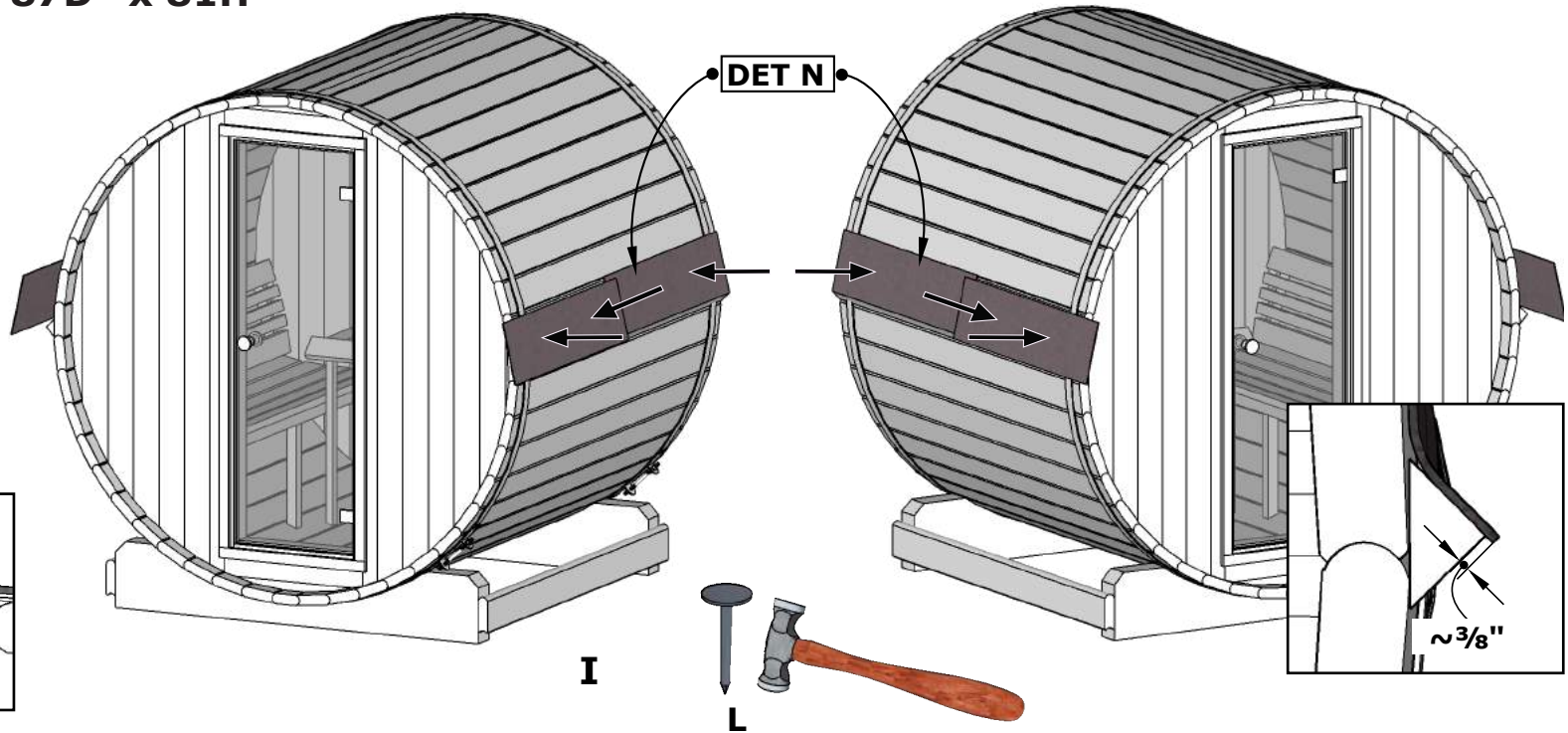
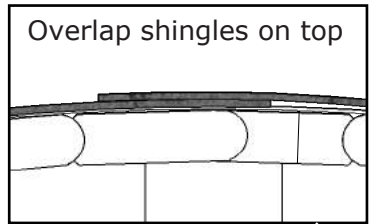
E8W Barrel Sauna 87D" x 81H"

X= Front wall thickness
 Wooden front wall 1 1/8"
 Glass front wall 1 5/8"

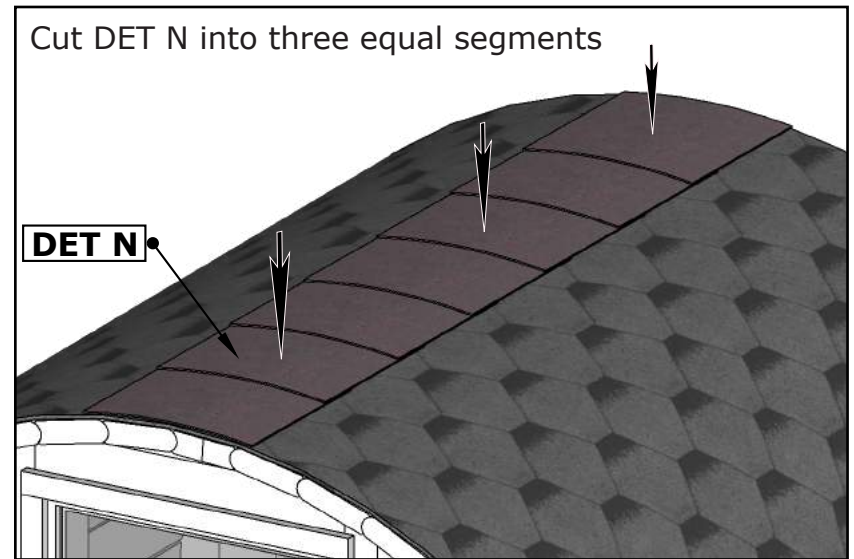
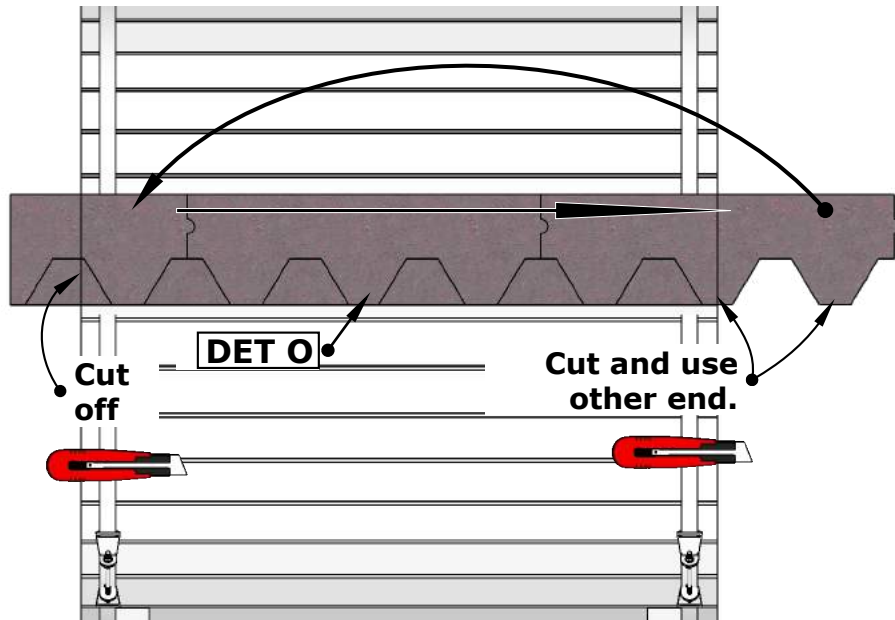


E8W Barrel Sauna 87D" x 81H"

See the installation manual inside the shingles package



Check also roof shingles installation manual inside package.



E8W Barrel Sauna 87D" x 81H"

